



**AIRFORMS**

**855-340-8244**

*airforms.biz*

**2020 CARAVAN CATALOG  
FAA-PMA AIRCRAFT PARTS**

**ONLINE: [WWW.AIRFORMS.BIZ](http://WWW.AIRFORMS.BIZ) EMAIL: [INFO@AIRFORMS.BIZ](mailto:INFO@AIRFORMS.BIZ)**

### About Airforms

Founded in 1998 by pilots and mechanics, Airforms, Inc. is a preferred supplier of aircraft components for many aircraft owner/operators. Airforms carries a large inventory of FAA PMA approved parts.

Airforms is located in the heart of the Alaskan aviation scene, 60 miles from Anchorage. Our products are developed from real world needs, and have often been requested by experienced pilots and operators.

Our team of craftsmen is proud of the impeccable workmanship and quality exhibited in all our products. High quality and commitment to customer satisfaction are key to our company mission. All our parts are manufactured using state of the art CAD/CAM technology and CNC equipment. Use of the latest technology combined with exemplary craftsmanship has brought a high level of refinement to our products.

Airforms, Inc. maintains an FAA accepted Quality Assurance System for production of FAA PMA parts. Airforms also maintains a full time staff of FAA Designated Engineering Representatives (DERs) who are continuously involved in design and FAA certification activities.

We ship parts to every corner of the globe and we can supply FAA form 8130-3 with any approved part upon request. Airforms keeps stock of all FAA PMA approved parts, and can often accommodate AOG requests.

We welcome your feedback! Customer service is our top priority. Airforms is open from 7 AM to 7 PM Central Standard Time (CST) to serve you throughout the business day. We may be reached immediately either by phone or e mail; or select the Contact Us portion of our website [www.airforms.biz](http://www.airforms.biz), which is maintained continuously with updated products, pricing, and ordering information.

### Shipping/Mailing address:

Airforms, Inc.  
3650 W. Aviation Ave.  
Wasilla, AK 99654 USA

Phone (855) 340-8244  
Local Phone (907) 357-8244  
Fax (907) 357-7244

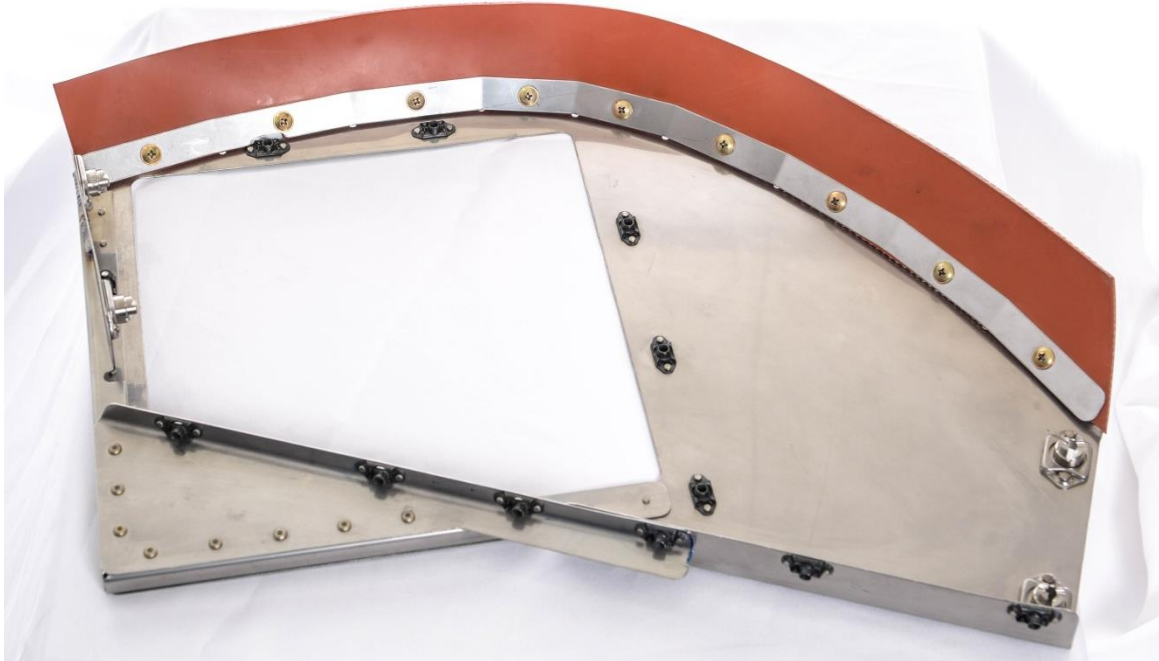
E mail [info@airforms.biz](mailto:info@airforms.biz)  
Web [www.airforms.biz](http://www.airforms.biz)

Table of Contents

CESSNA 208/208B OIL COOLER BAFFLE .....	4
CESSNA 208/208B PRIMARY EXHAUST FLANGE .....	5
CESSNA 208 CABIN HEAT VENTS .....	6
CESSNA 208B CABIN HEAT VENTS .....	7
CESSNA 208/208B TAIL TIE DOWN HANDLE .....	8
CESSNA 208/208B TIE-DOWN TRIM PLATE .....	9
CESSNA 208/208B CREW DOOR PANELS.....	10
CESSNA 208/208B FUEL SELECTOR PANELS - COMING SOON.....	11
CESSNA 208/C208B TORQUE LINK PIN STC .....	12
CESSNA 208/C208B TORQUE LINK PIN STC (CONT'D) .....	13
CESSNA 208/208B TORQUE LINK PINS, BOLTS, AND BUSHINGS .....	14
CESSNA 208/208B TORQUE LINK STC TOOL KITS .....	15
CESSNA 208/208B TORQUE LINK.....	16
CESSNA 208/208B HIGH STRENGTH WHEEL BOLT STC .....	17
CESSNA 208/208B PASSENGER DOOR STEP .....	18
CESSNA 208/208B DOOR HINGES .....	19
CESSNA 208/208B CREW STEP LADDER.....	20

**CESSNA 208/208B OIL COOLER BAFFLE**

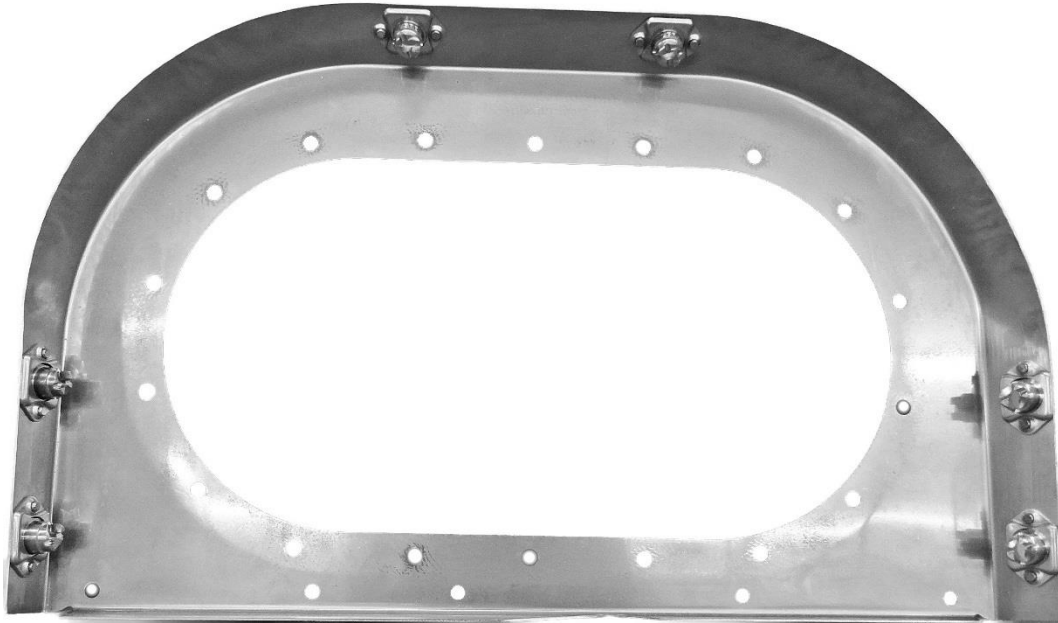
Part #	Description	Eligibility
AF2650098-5	Baffle, oil cooler	All S/N Model 208 & 208B



- Airforms P/N AF2650098-5, Oil Cooler Baffle,
- Direct replacement for Cessna P/N 2650098-4 and -5
- Eligible for all S/N aircraft, Cessna models 208 and 208B w/ PT6A-114A engine and large oil cooler
- Reinforced design for longer life – increased thickness, doublers added at critical locations to extend serviceability
- Replaceable low cost seal
- Precision fit – drop in replacement for the original part
- FAA PMA Approved

**CESSNA 208/208B PRIMARY EXHAUST FLANGE**

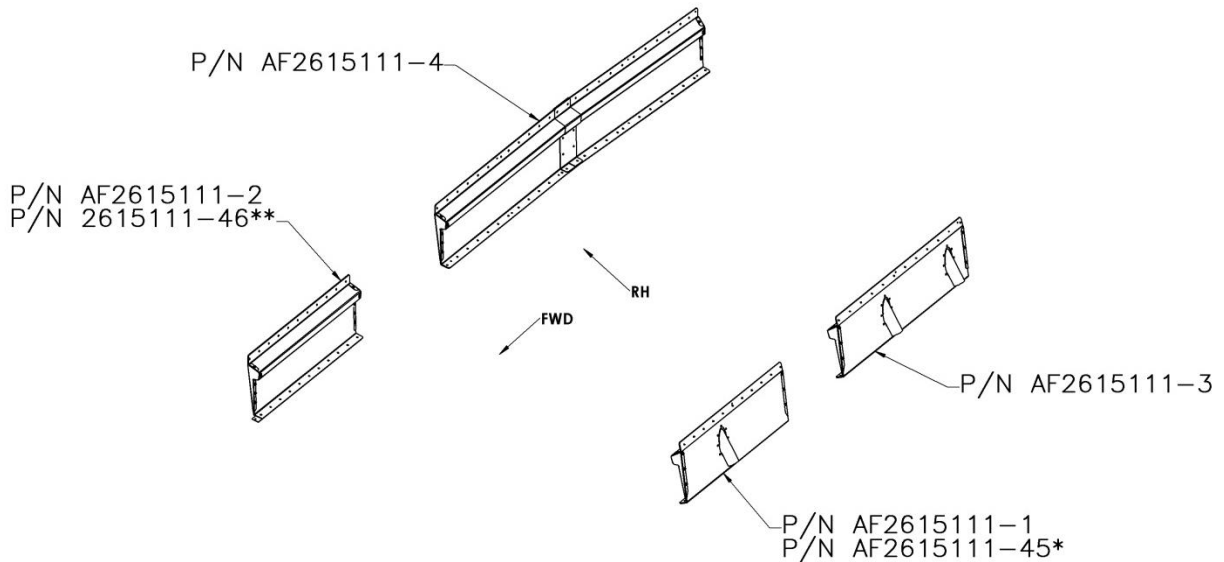
Part #	Description	Eligibility
AF2654006-10	Exhaust Flange Assembly	All S/N Model 208 & 208B



- Airforms P/N AF2654006-10, Exhaust Flange Assembly
- Direct replacement for Cessna P/N 2654006-10
- Airforms, Inc. replacement part features a wide notch for improved clearance, and the removal of one fastener. These design features reduce the stress concentration on the component during operations, for improved longevity
- Flange is formed from durable stainless steel
- Eligible for installation on all C208/208B aircraft with -114 and -114A engines
- Precision fit – drop in replacement for the original part
- FAA PMA Approved

**CESSNA 208 CABIN HEAT VENTS**

Part #	Description	Eligibility
AF2615111-1	Heater Vent LH FWD CNTR	S/N's 0001 thru 0312
AF2615111-2	Heater Vent RH FWD CNTR	S/N's 0001 and on
AF2615111-3	Heater Vent LH AFT	S/N's 0001 and on
AF2615111-4	Heater Vent RH AFT	S/N's 0001 and on
AF2615111-45	Heater Vent LH FWD CNTR	S/N's 0313 and on



NOTES:

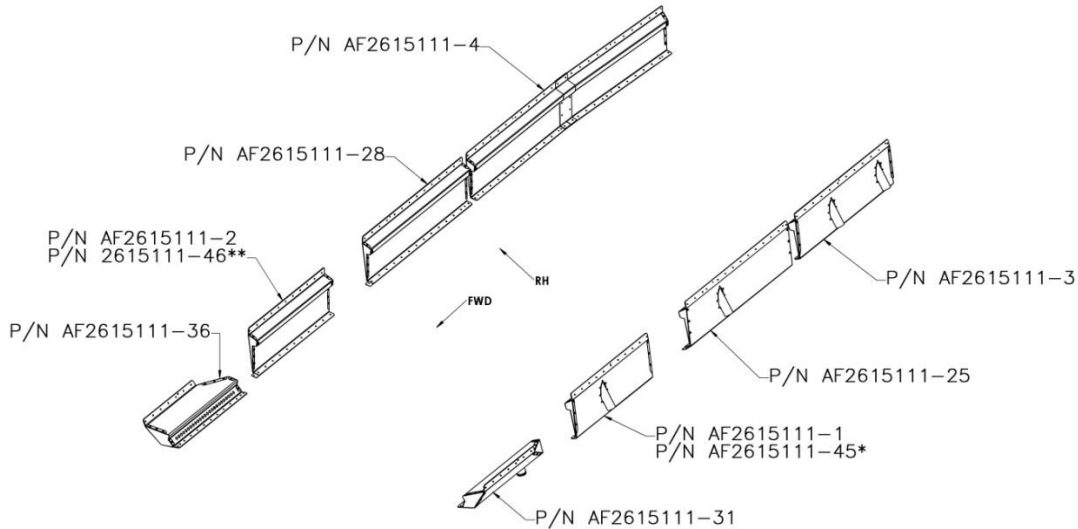
\* -45 APPLICABLE TO S/N 20800313 AND ON

\*\* AIRFORMS -2 VENT REPLACES CESSNA -2 OR -46, ALL S/N

- Reinforced design for longer life
- Powder coated metal endcaps provide longer service life than fragile plastic OEM endcaps due to higher strength and superior resistance to damage
- Precision fit – drop in replacement for the original parts
- FAA PMA Approved

**CESSNA 208B CABIN HEAT VENTS**

Part #	Description	Eligibility
AF2615111-1	Heater Vent LH FWD CNTR	S/N's 0214 thru 0765
AF2615111-2	Heater Vent RH FWD CNTR	S/N's 0214 and on
AF2615111-3	Heater Vent LH AFT	S/N's 0214 and on
AF2615111-4	Heater Vent RH AFT	S/N's 0214 and on
AF2615111-25	Heater Vent LH FWD AFT	S/N's 0214 and on
AF2615111-28	Heater Vent RH FWD AFT	S/N's 0214 and on
AF2615111-31	Heater Vent LH FWD	S/N's 0214 and on
AF2615111-36	Heater Vent RH FWD	S/N's 0214 and on
AF2615111-45	Heater Vent LH FWD CNTR	S/N's 0766 and on



NOTES:  
 \* -45 APPLICABLE TO S/N 208B0766 AND ON  
 \*\* AIRFORMS -2 VENT REPLACES CESSNA -2 OR -46, ALL S/N

- Reinforced design for longer life
- Powder coated metal endcaps provide longer service life than fragile plastic OEM endcaps due to higher strength and superior resistance to damage
- Precision fit – drop in replacement for the original parts
- FAA PMA Approved

**CESSNA 208/208B TAIL TIE DOWN HANDLE**

Part #	Description	Eligibility
AF2612035-1	Tie down	All Cessna models 208 & 208B



- Airforms P/N AF2612035-1, Tail tie down handle, rear
- Direct replacement for Cessna P/N 2612035-1
- Eligible for all S/N aircraft, Cessna models 208 and 208B
- Precision fit – drop in replacement for the original part
- Aircraft interface unchanged
- Tail stand interface unchanged – works with your existing tail stand
- Comes primed and ready for installation
- FAA PMA Approved



**CESSNA 208/208B TIE-DOWN TRIM PLATE**

Part #	Description	Eligibility
AF2615118-1	Trim Plate	Cessna 208/208B Passenger aircraft only



- Airforms P/N AF2615118-1, Tie-down trim panel
- Direct replacement for Cessna P/N 2615118-1
- Eligible for Cessna model 208/208B passenger aircraft only
- Airforms part is manufactured from aluminum for longer life – original Cessna part was thin plastic
- Airforms part will not shatter when impacted at low temperatures
- Precision fit – drop in replacement for the original part
- Aircraft interface unchanged
- Durable powder-coating improves interior fit, finish, and longevity
- Ready for installation
- FAA PMA Approved

### CESSNA 208/208B CREW DOOR PANELS

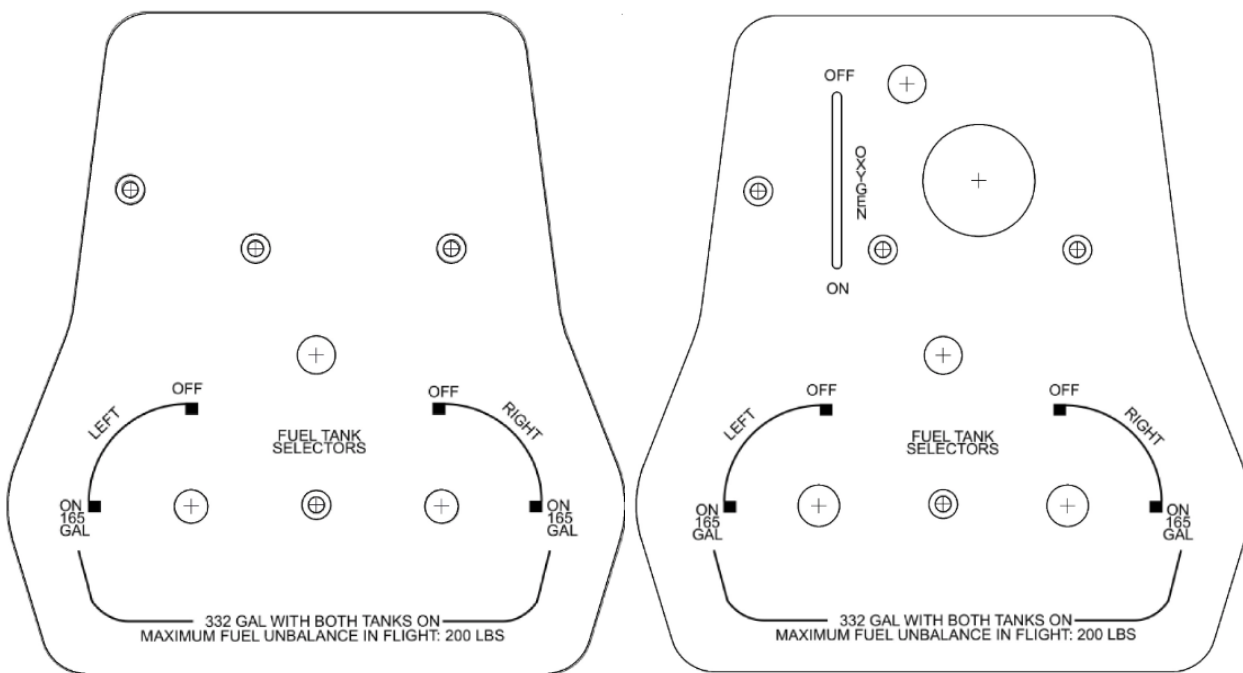
Part #	Description	Eligibility
AF2615180-1	LH CREW DOOR PANEL ASSY	All Cessna models 208 & 208B
AF2615180-2	RH CREW DOOR PANEL ASSY	All Cessna models 208 & 208B



- Airforms P/N AF2615180-1 (LH) and AF2615180-2 (RH)
- Direct replacement for Cessna P/N 2615180-1 and -2
- Eligible for all models 208 and 208B
- Also replaces door panels for early S/N aircraft – for these airframes in particular, the crew door panel can be replaced to bring a modern look and increased utility to your older aircraft
- Airforms part is identical to original Cessna part – includes retaining straps, fire extinguisher recess, large storage pocket, weight placard, and certificate pouch.
- Precision fit – drop in replacement for the original part
- Installation in aircraft unchanged
- Color matched to original part
- FAA PMA Approved

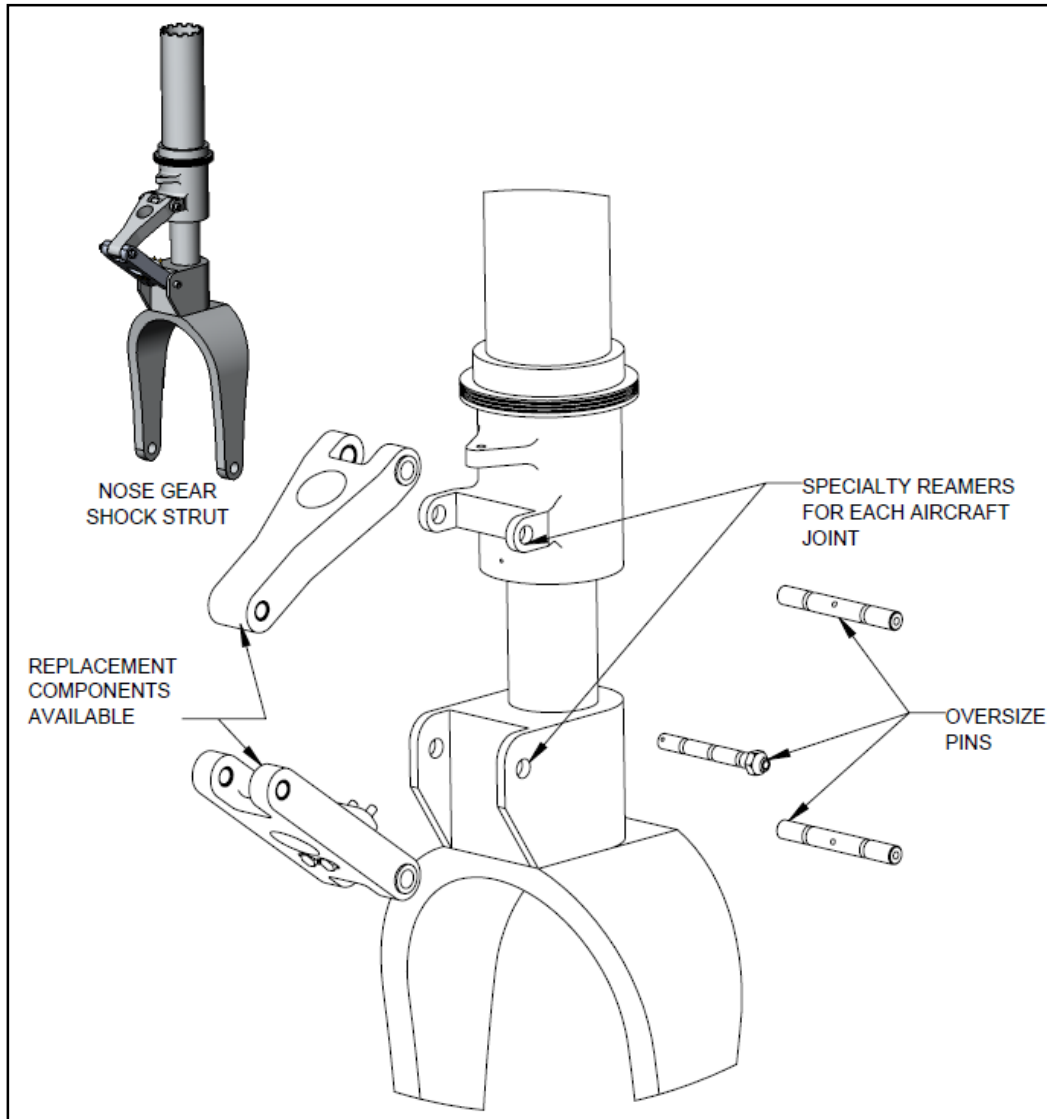
**CESSNA 208/208B FUEL SELECTOR PANELS – COMING SOON**

Part #	Description	Eligibility
AF2613437-7	GLASS ASSY-FUEL SELECT PANEL	All Cessna models 208 & 208B WITHOUT oxygen
AF2613437-11	LENS, WITH OXYGEN	All Cessna models 208 & 208B WITH oxygen



- Airforms P/N AF2613437-11, Fuel selector panel with oxygen
- Airforms P/N AF2613437-7, Fuel selector panel with no oxygen
- Direct replacement for Cessna P/Ns 2613437-7 and -11
- Eligible for all S/N aircraft, Cessna models 208 and 208B
- Airforms part is manufactured from slightly thicker clear polycarbonate, to prevent cracking and extend service life
- Part markings unchanged
- Precision fit – drop in replacement for the original part
- Ready for installation
- FAA PMA Approval Pending

**Cessna 208/C208B Torque Link Pin STC**



Airforms designed this STC to help operators keep the nose gear linkage tight and shimmy-free. As the torque link joints loosen over time the nose gear is prone to shimmy, especially when operating the larger diameter nose wheel. This STC acknowledges the fact that wear is going to happen over the life of the gear, but by providing oversized pins and a carefully designed set of tools, wear can be removed incrementally to keep the nose gear operating like new. Other options for nose gear maintenance require that the entire nose gear be removed and sent off to be repaired by a repair station. This STC allows the gear to remain on the aircraft and the specialized tool kit allows the wear points to be reamed to exact sizes, even in the field. We've put a lot of thought into this and we truly hope that this STC will dramatically reduce the number of nose gear swaps you must accomplish to keep your Caravan operating.

## Cessna 208/C208B Torque Link Pin STC (Cont'd)

### Some Highlights

#### What does the Airforms Torque Link Pin STC do for my 208/208B?

- Allows for the replacement of loose C208/208B Nose Gear torque link pins and bolts (Cessna Part Numbers 2643091-1 & 2643092-1)
- Allows for reaming of the torque links, bushings and aircraft attachment points, and installation of Airforms Part Numbers AF2643091-1 & AF2643092-1 in graduating oversizes to remove joint slop
- STC can be installed on aircraft without removing nose gear, including reaming operations with available specialty tool kit
- Torque links that were previously shelved for not meeting the maintenance manual limits can be evaluated and potentially put back into service
- **Huge potential for savings during the 40,000 cycle Nose Gear Life Limit**

#### What about the parts?

- Oversized FAA PMA'd pins & bolts available in .010, .020 and .030 oversizes
- Standard sized pins & bolts also available
- FAA or EASA approved STC sold separately
- Precision machined pins and bolts are Cad plated for long life

#### What else do I need to install?

- Tool kits available with piloted reamers for all 3 oversizes
- Shim washer installation to accommodate joint wear at center pivot

### CESSNA 208/208B TORQUE LINK PINS, BOLTS, AND BUSHINGS

Part #	Description	Eligibility
AF2643085-200	TORQUE LINK BUSHING	All Cessna 208/208B
AF2643091-1	TORQUE LINK PIN - STANDARD	All Cessna 208/208B
AF2643091-1010	TORQUE LINK PIN – OVERSIZE 0.010	All Cessna 208/208B
AF2643091-1020	TORQUE LINK PIN – OVERSIZE 0.020	All Cessna 208/208B
AF2643091-1030	TORQUE LINK PIN – OVERSIZE 0.030	All Cessna 208/208B
AF2643092-1	TORQUE LINK BOLT - STANDARD	All Cessna 208/208B
AF2643092-1010	TORQUE LINK BOLT – OVERSIZE 0.010	All Cessna 208/208B
AF2643092-1020	TORQUE LINK BOLT – OVERSIZE 0.020	All Cessna 208/208B
AF2643092-1030	TORQUE LINK BOLT – OVERSIZE 0.030	All Cessna 208/208B



- Torque Link Pins & Bolts available in standard size as well as .010, .020, .030 oversizes
- Pins, Bolts and Bushings are FAA PMA Approved
- Precision machined Pins and Bolts are Cad plated for long life
- STC and specialty reamer kits available separately
- Standard washers available to prevent lateral play

**CESSNA 208/208B TORQUE LINK STC TOOL KITS**

Part #	Description	Eligibility
Tool Kit + 0.010	OVERSIZE 0.010 REAMERS – SHORT/LONG PILOTED REAMER, TAP HANDLE	All Cessna 208/208B
Tool Kit + 0.020	OVERSIZE 0.020 REAMERS – SHORT/LONG PILOTED REAMER, TAP HANDLE	All Cessna 208/208B
Tool Kit + 0.030	OVERSIZE 0.030 REAMERS – SHORT/LONG PILOTED REAMER, TAP HANDLE	All Cessna 208/208B
Tool Kit 32-604-56-01	MASTER TOOL KIT FOR TORQUE LINK STC – CONTAINS 6 CUSTOM REAMERS	All Cessna 208/208B



- For use with Airforms Torque Link Repair STC
- Specially designed Self-Piloting Reamers ensure reaming to exact sizes – even in the field
- Each kit contains a long and a short reamer and a ratcheting tap handle
- Kits available in .010, .020, .030 oversizes, or buy all 6 reamers and a tap handle in the master kit

**CESSNA 208/208B TORQUE LINK**

Part #	Description	Eligibility
AF2643084-1	Torque Link Assy – Upper	All Cessna 208/208B
AF2643084-2	Torque Link Assy – Lower	All Cessna 208/208B



- Airforms P/N AF2643084-1, Torque Link Assy – Upper
- Airforms P/N AF2643084-2, Torque Link Assy – Lower
- Direct replacement for Cessna P/Ns 2643084-1 and -2
- Eligible for all S/N aircraft, Cessna models 208 and 208B
- Airforms part provides one of the hardest aluminum surfaces to reduce wear
- Airforms part designed to prevent cracking in threaded grease fitting holes
- Precision fit – drop in replacement for the original part
- Ready for installation
- FAA PMA Approved

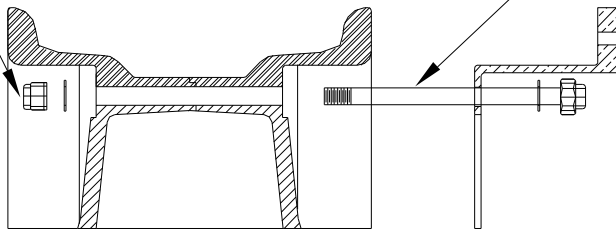


**CESSNA 208/208B HIGH STRENGTH WHEEL BOLT STC**

Part #	Description	Eligibility
AFC-208BOLTKIT-STC+058	HARDWARE AND STC, NO SPACER	All Cessna 208/208B
AFC-208BOLTKIT-STC+060	HARDWARE AND STC, WITH SPACER	All Cessna 208/208B
AFC-208BOLTKIT-058	HARDWARE ONLY NO SPACER	All Cessna 208/208B
AFC-208BOLTKIT-060	HARDWARE ONLY, WITH SPACER	All Cessna 208/208B
AFC-208BOLTKIT-STC-only	STC ONLY, HIGH STRENGTH HARDWARE	All Cessna 208/208B

HI-STRENGTH WASHERS  
AND NUTS INCLUDED

BOLT, MS21250 SERIES  
18 EACH PER KIT

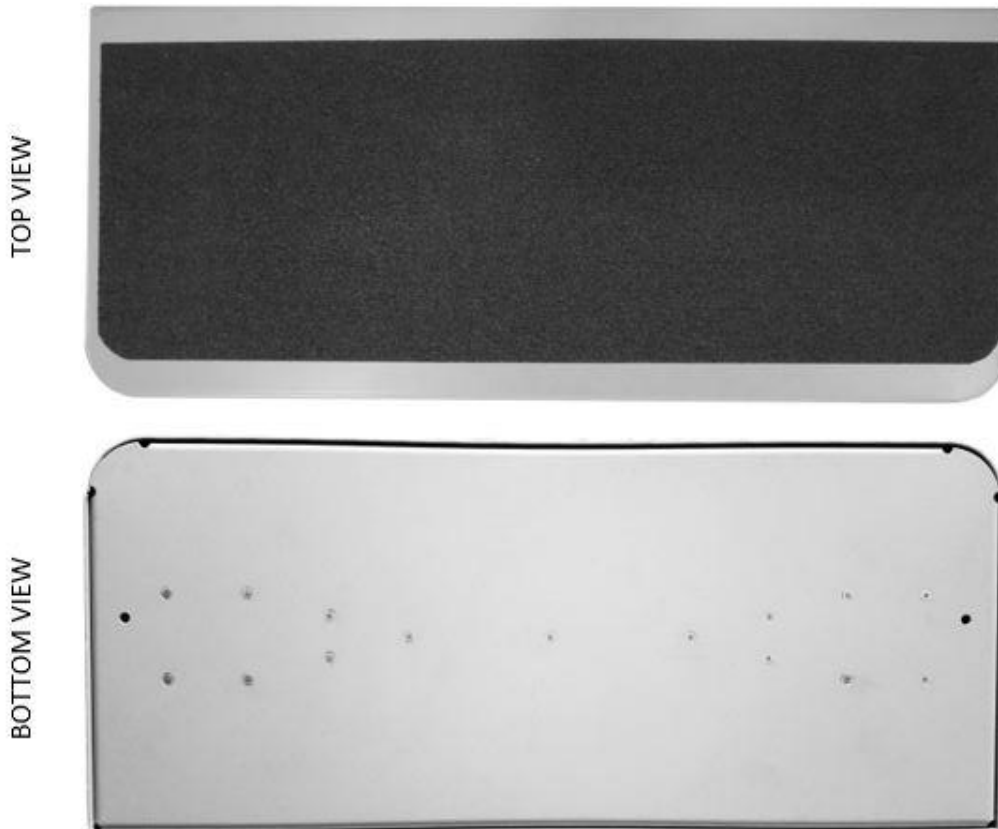


- Airforms bolt kit replaces AN5 wheel hardware with high strength mil-spec hardware
- -058 kit is for aircraft without brake disc spacer
- -060 kit is for aircraft with brake disc spacer
- Kit includes high strength bolts, washers, and nuts.
- Eligible for all S/N aircraft, Cessna model 208 and 208B
- Precision fit – bolts and hardware fit identically
- No changes to continued airworthiness requirements
- FAA & EASA STC approved



**CESSNA 208/208B PASSENGER DOOR STEP**

Part #	Description	Eligibility
AF2617076-1	PASSENGER DOOR STEP	All Cessna 208/208B

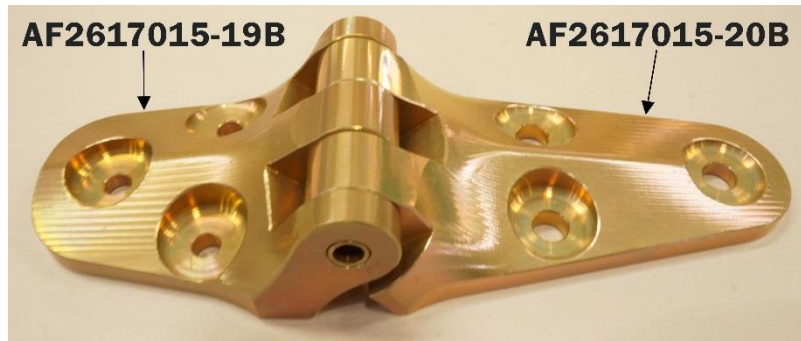


- FAA PMA & STC Approved
- Direct replacement for upper, middle and lower step (2617076-10, -11, -1)
- 100% Aluminum Construction
- Can Withstand Significantly More Weight Than OEM Part
- Is More Resilient to Weather and the Damaging Effects of Moisture
- Powder Coated to Resist Corrosion
- Provides Longer Service Life Than OEM Steps
- Comes with Slip-Resistant Tape Installed
- Substantial Savings vs. OEM

**CESSNA 208/208B DOOR HINGES**

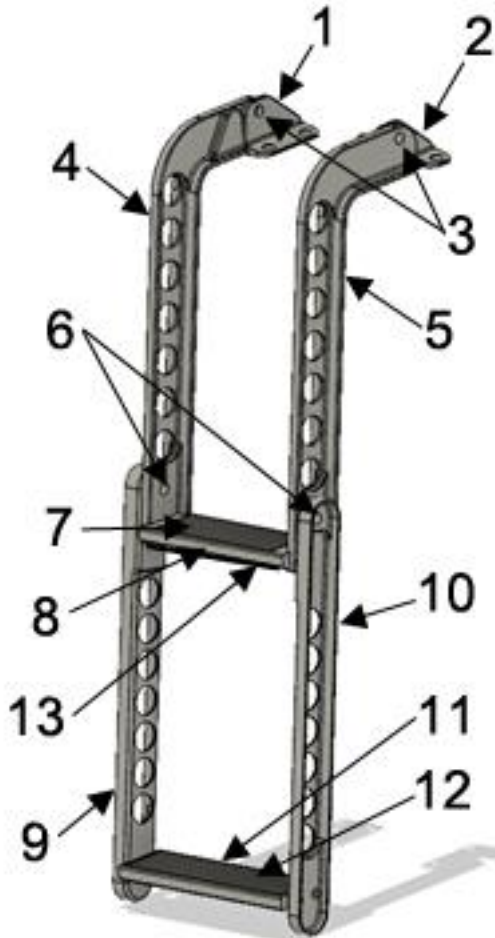
Eligibility: All Cessna 208/208B

Standard Hinge Part #	Bushed Hinge Part #
AF2617015-17	AF2617015-17B
AF2617015-18	AF2617015-18B
AF2617015-19	AF2617015-19B
AF2617015-20	AF2617015-20B
AF2617015-21	AF2617015-21B
AF2617015-22	AF2617015-22B
AF2617015-23	AF2617015-23B
AF2617015-24	AF2617015-24B
AF2617015-26	AF2617015-26B
Bushings Part #	
AF2617015-025 (short)	
AF2617015-049 (long)	



- Standard and Bushed Hinges Are Direct Replacements for Cessna Hinges
- Precision Machined for Superior Fit
- Anodized for Corrosion Resistance
- Bushed Hinges Allow for Multiple Repairs as Bushings Wear – OEM Hinges Only Allow a Single Repair (Cessna CAB96-2)
- FAA PMA Approved
- FAA PMA Approved Bushings Also Sold Separately

**CESSNA 208/208B CREW STEP LADDER**



- FAA PMA Approved for most C208 & C208B/EX models
- Superior bushing material provides outstanding corrosion protection
- A fraction of the cost of OEM replacements
- Individual PMA Approved components are compatible with OEM components and are sold separately

Item	Part Number	Description	Eligibility
All	AF2606033-41-1	Complete Crew Step Ladder	All C208/208B
1	AF2606033-36	LH Bracket Assembly	All C208/208B
2	AF2606033-37	RH Bracket Assembly	All C208/208B
3	AF133-4P28	Bracket Spacers	All C208/208B
4	AF2606033-43	LH Upper Arm Assembly	All C208/208B
5	AF2606033-44	RH Upper Arm Assembly	All C208/208B
6	AF133-4P32	Arm Spacers	All C208/208B
7	AF2606033-15	Tread Only– Upper Step	S/N 0001-0308, B0001-B5425
8	AF2606033-12	Upper Step Assembly with Tread	S/N 0001-0308, B0001-B5425
9	AF2606033-2	LH Lower Arm Assembly	All C208/208B
10	AF2606033-4	RH Lower Arm Assembly	All C208/208B
11	AF2606033-10	Lower Step Assembly with Tread	S/N 0001-0308, B0001-B5425
12	AF2606033-14	Tread Only – Lower Step	S/N 0001-0308, B0001-B5425
13	AF2615055-1	Armrest	All C208/208B