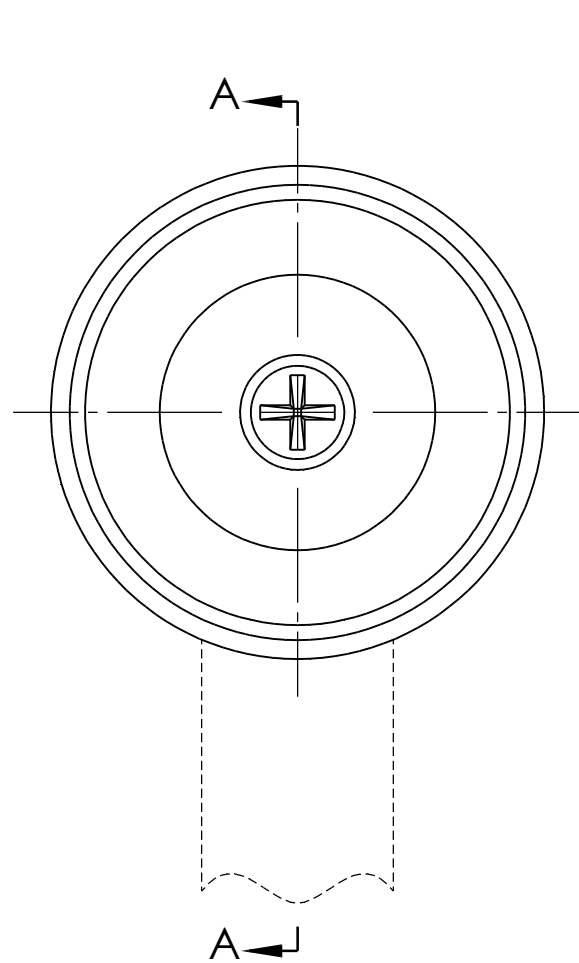
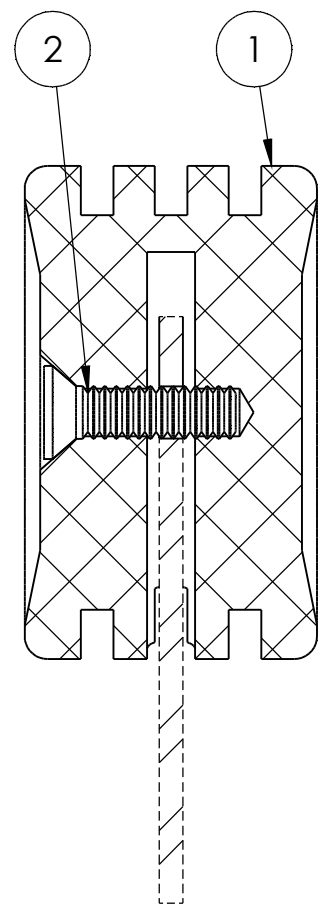


BILL OF MATERIALS					
ITEM NO.	PART NUMBER	DRAWING NUMBER	DESCRIPTION	M-01-10000-1 QTY.	M-01-10000-3 QTY.
1	MBA10145	MBA-10145	KNOB-CONTROL	1	-
1	MBA10167	MBA-10145	KNOB-CONTROL	-	1
2	MS51959-30	-	FLAT HEAD MACHINE SCREW #6-32 5/8	1	1

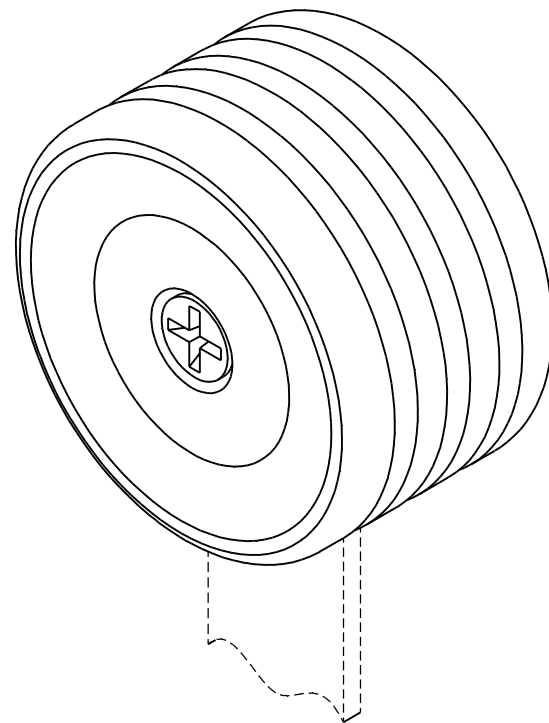
REV.	DESCRIPTION	DATE	DWN	ENG CKD	MFG CKD	QC CKD	APPV



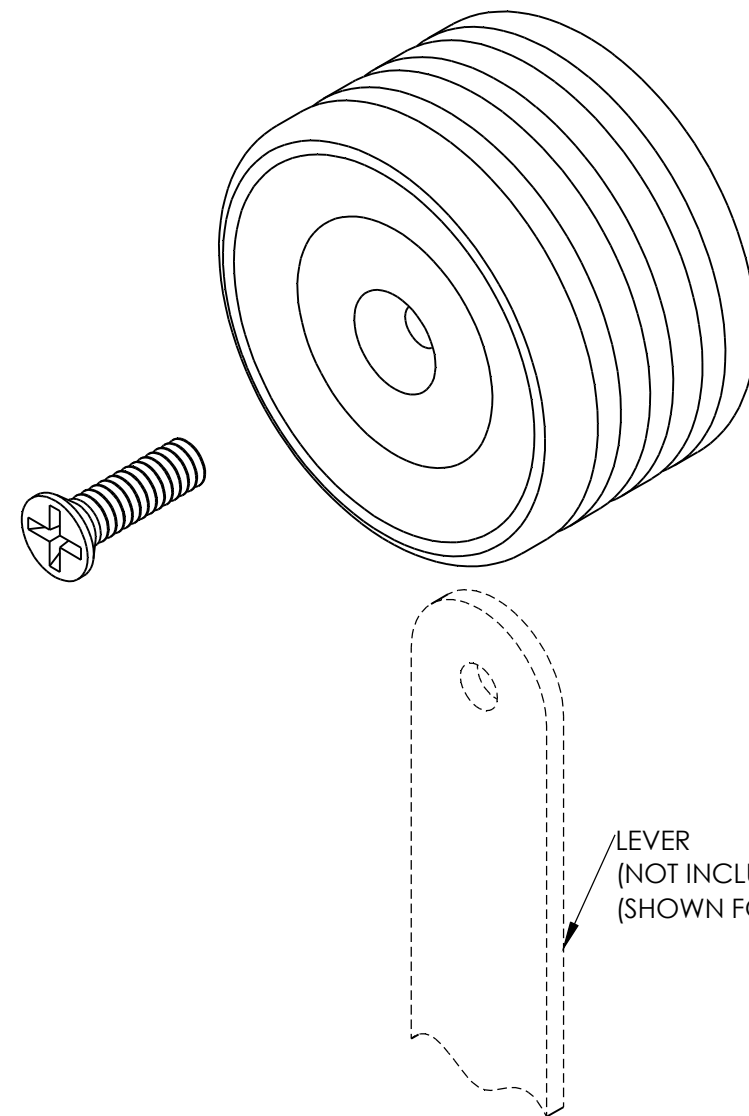
FRONT VIEW



SECTION A-A



ISOMETRIC VIEW



ISOMETRIC (EXPLODED) VIEW

NOTES:

- PARTS ARE NOT SHIPPED ASSEMBLED.
- ALL DIMENSIONS ARE IN INCHES.
- DO NOT SCALE THIS DRAWING. WORK TO DIMENSIONS SPECIFIED.
- TOLERANCES FOR ALL DIMENSIONS SHALL BE NONCUMULATIVE.
- INTERPRET DRAWING IN ACCORDANCE WITH ASME Y14.5M.

DO NOT SCALE THIS DRAWING. WORK TO DIMENSIONS SPECIFIED  
 UNLESS SHOWN OTHERWISE, MACHINE TOLERANCES ARE:  
 LINEAR UP TO 20" (0.5m) ±0.020" (±0.5mm)  
 OVER 20" (0.5m) ±0.040" (±1.0mm)  
 ANGULAR: ±0.25°  
 SURFACE FINISH: 125 *min*ch Ra (3.2 mm)  
 MATERIAL SURFACE FINISH TO BE DETERMINED ONLY BY USE OF COMPARATOR

INITIAL APPROVAL & RELEASE		
NAME	SIGN	DATE
DRAWN J.PATINO	J.P.	09-Nov-2018
ENG. CHECKED A.PIRRIE	A.P.	19-NOV-2019
MFG. CHECKED -	-	-
QUALITY CHECKED -	-	-
APPROVED -	-	-

**MARSH BROTHERS AVIATION**  
 BURLINGTON, ONTARIO, CANADA

THIS DRAWING IS THE PROPERTY OF MARSH BROTHERS AVIATION. ALL USE IS STRICTLY PROHIBITED WITHOUT PRIOR WRITTEN CONSENT.  
 CET DESSIN EST DE PROPRIETE DE MARSH BROTHERS AVIATION. TOUTE USAGE C EST STRICTEMENT INTERDIT SAUF PERMISSION ECRIT PRECEDENT.

PLATFORM: AEROSTAR	INITIAL RELEASE DATE: -	MRP NO. -	SIZE B	
TITLE/TITRE <b>KIT, LANDING GEAR KNOB</b>			DRAWING NO. DU DESSIN <b>M-01-10000</b>	REV. 1
SHEET FEUILLE 1			OF DE 1	1