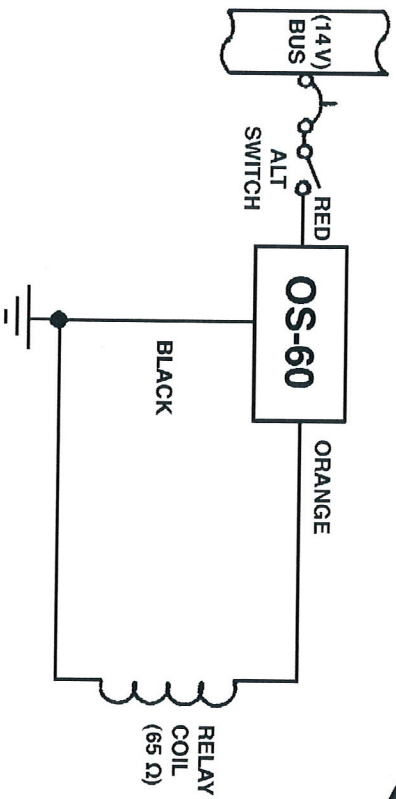


TYPICAL SYSTEM INTERCONNECT



Notes:

The RED - ORANGE circuit is normally closed.

The static trip point at 70°F is 16.2 +/- .3 volts.

Weight is .1 lbs (.045 kg)

ORIGINAL

**Electrodelta™**

by **Lamar Technologies LLC**

RECOMMENDED INTERFACE WIRING:

OS-60 OVERVOLTAGE SENSOR (14V)

Lamar Technologies LLC  
 14900 40th Ave. NE  
 Marysville WA 98271  
 (360) 651-6666

[www.lamartech.com/electrodelta/](http://www.lamartech.com/electrodelta/)

OS60.A Data Sheet