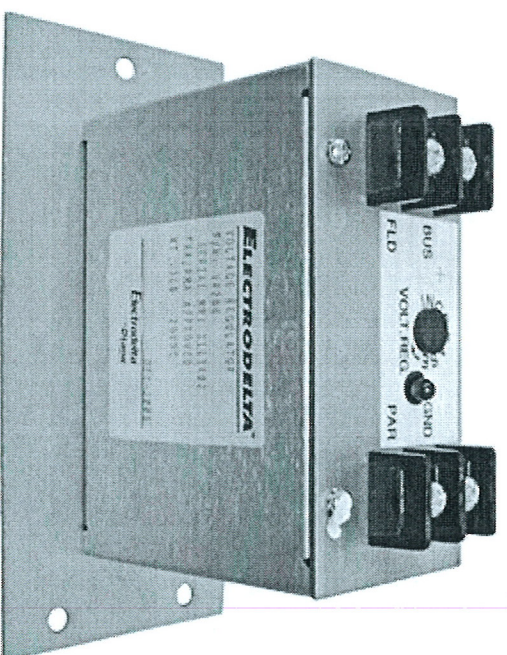
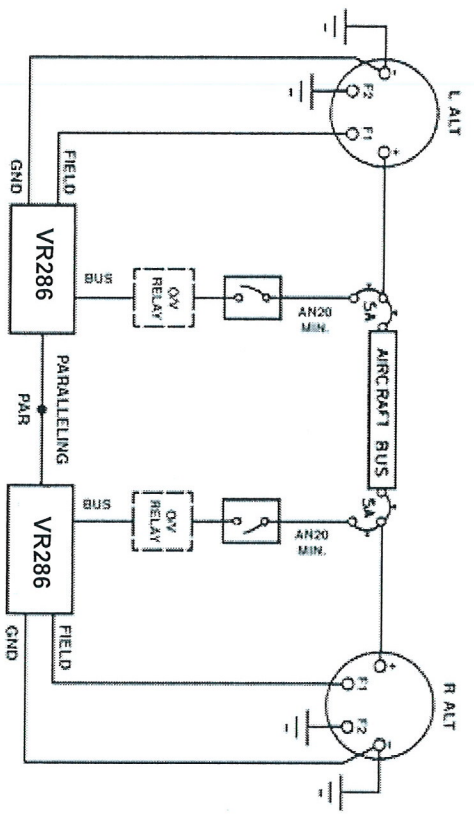


VR286 OUTLINE



# VR286



- NOTE:
1. TO BE INSTALLED IN PAIRS ONLY. NOT NECESSARILY COMPATIBLE WITH OTHER MODELS FROM OTHER MANUFACTURERS.
  2. FOR BEST LOW RPM PERFORMANCE, VOLTAGE REGULATOR CONNECTING LEADS SHOULD BE AN18.
  3. WEIGHT IS .3 POUNDS (.136 kg).

ORIGINAL

RECOMMENDED INTERFACE WIRING:

VR286 VOLTAGE REGULATOR (28 VOLT SYSTEM)

Lamar Technologies LLC  
 14900 40th Avenue NW  
 Marysville, WA 98271  
 360-651-6666

[www.lamartech.com/electrodelta/](http://www.lamartech.com/electrodelta/)

VR286.A Data Sheet

