



**AIRFORMS**

**855-340-8244**

*airforms.biz*

**2023**

**C208/208B CARAVAN CATALOG  
FAA-PMA AIRCRAFT PARTS**

**ONLINE: [WWW.AIRFORMS.BIZ](http://WWW.AIRFORMS.BIZ) EMAIL: [INFO@AIRFORMS.BIZ](mailto:INFO@AIRFORMS.BIZ)**

Airforms LLC  
3650 W. Aviation Ave.  
Wasilla, AK 99654 USA

## 2023 Caravan Catalog

**AIRFORMS**  
(855)340-8244  
[airforms.biz](http://airforms.biz)

Airforms LLC  
3650 W. Aviation Ave.  
Wasilla, AK 99654 USA

Phone# (855) 340-8244  
Local Phone# (907) 357-8244  
Fax (907) 357-7244

Email: [info@airforms.biz](mailto:info@airforms.biz)  
Website: [www.airforms.biz](http://www.airforms.biz)

Airforms was founded in 1998 by pilots and mechanics. We are located in Wasilla, Alaska (southcentral area). We carry a large inventory of FAA PMA approved parts, maintaining an FAA accepted Quality Assurance System for production. We use CAD/CAM technology and CNC equipment.

We ship worldwide, and we can supply 8130-3 domestic or export forms for FAA PMA parts if requested. Airforms keeps stock of FAA PMA approved parts.

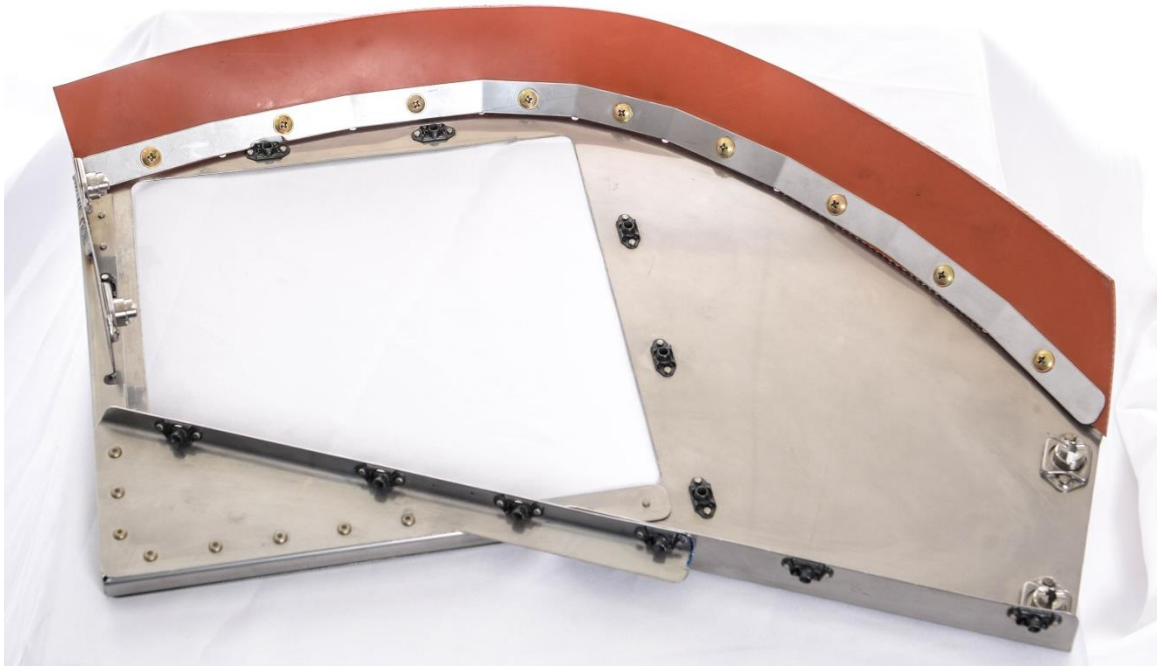
We welcome your feedback! Airforms is open from 7 AM - 7 PM Central Standard Time (CST).

**Table of Contents**

**CESSNA 208/208B OIL COOLER BAFFLE ..... 4**  
**CESSNA 208/208B PRIMARY EXHAUST FLANGE..... 5**  
**CESSNA 208/208B CABIN HEAT VENTS ..... 6**  
**CESSNA 208/208B TAIL TIE DOWN HANDLE ..... 7**  
**CESSNA 208/208B TIE-DOWN TRIM PLATE ..... 8**  
**CESSNA 208/208B CREW DOOR PANELS ..... 9**  
**CESSNA 208/208B TORQUE LINK REPAIR STC (PAGE 1 OF 4) ..... 10**  
**CESSNA 208/208B TORQUE LINK REPAIR STC (PAGE 2 OF 4) ..... 11**  
**CESSNA 208/208B TORQUE LINK REPAIR PARTS (PAGE 3 OF 4) ..... 12**  
**CESSNA 208/208B TORQUE LINK REPAIR STC TOOL KITS (PAGE 4 OF 4) ..... 13**  
**CESSNA 208/208B TORQUE LINK..... 14**  
**CESSNA 208/208B HIGH STRENGTH WHEEL BOLT STC ..... 15**  
**CESSNA 208/208B PASSENGER DOOR STEP ..... 16**  
**CESSNA 208/208B DOOR HINGES..... 17**  
**CESSNA 208/208B CREW STEP LADDER ..... 18**

**CESSNA 208/208B OIL COOLER BAFFLE**

Part Number	Description	Eligibility
AF2650098-5	Oil Cooler Baffle	All C208 & C208B with PT6-114A engine & large oil cooler

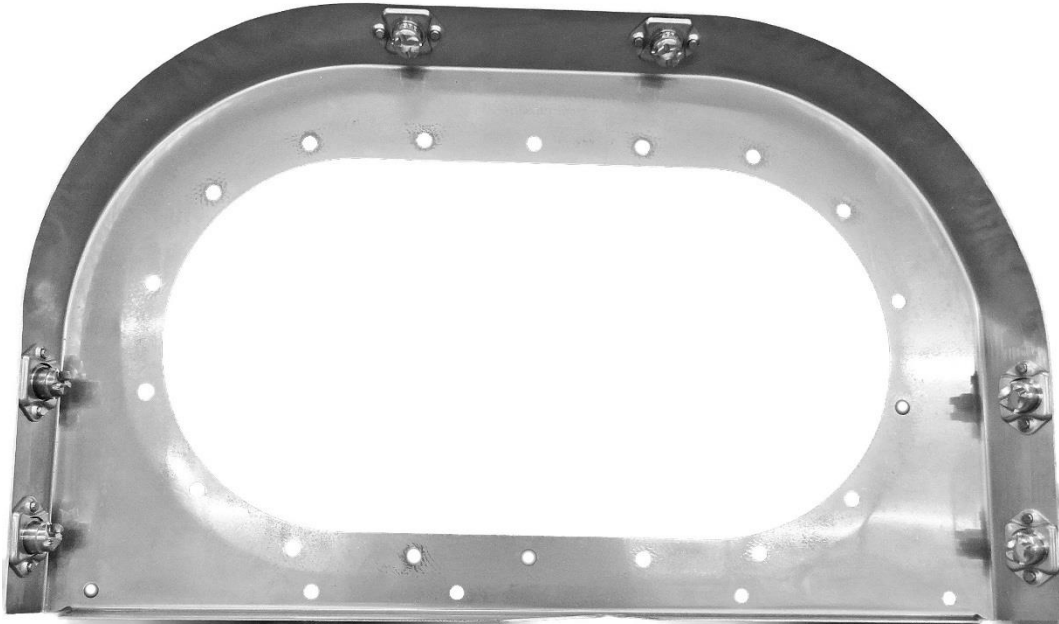


- FAA PMA Approved Direct Replacement for Cessna Part Numbers 2650098-4 and 2650098-5
- Reinforced design features increased thickness and strategically placed doubler additions resulting in extended service life.
- Replaceable low-cost seal for hassle free maintenance
- Precision Fit for a seamless drop-in replacement
- Unmatched quality and value



**CESSNA 208/208B PRIMARY EXHAUST FLANGE**

Part Number	Description	Eligibility
AF2654006-10	Exhaust Flange Assembly	All C208 & C208B with -114 & -114A engines



- FAA PMA Approved replacement for Cessna P/N 2654006-10
- Flange is formed from durable stainless steel, features a wide notch for improved clearance, and the removal of one fastener. These changes reduce the stress concentration during operations
- Precision fit - drop in replacement for the original part

**CESSNA 208/208B CABIN HEAT VENTS**

<b>Part Number</b>	<b>Description</b>	<b>C208 Eligibility</b>	<b>C208B Eligibility</b>
AF2615111-1	LH FWD Center	S/N 0001 - 0312	S/N 0214 - 0765
AF2615111-2	RH FWD Center	S/N 0001 & on	S/N 0214 - 0765
AF2615111-3	LH AFT	S/N 0001 & on	S/N 0214 & on
AF2615111-4	RH AFT	S/N 0001 & on	S/N 0214 & on
AF2615111-25	LH FWD AFT	n/a	S/N 0214 & on
AF2615111-28	RH FWD AFT	n/a	S/N 0214 & on
AF2615111-31	LH FWD	n/a	S/N 0214 & on
AF2615111-36	RH FWD	n/a	S/N 0214 & on
AF2615111-45	LH FWD Center	S/N 0313 & on	S/N 0766 & on



- FAA PMA approved replacement for Cessna part numbers
- Reinforced design for longer life. Powder coated, metal endcaps compared to plastic OEM endcaps
- Precision fit - drop in replacement for the original part

**CESSNA 208/208B TAIL TIE DOWN HANDLE**

Part Number	Description	Eligibility
AF2612035-1	Tail Tie Down Handle	All C208 & C208B



- FAA PMA approved replacement for Cessna part number 2612035-1
- Comes primed. Aircraft interface & tail stand interface unchanged – works with your existing tail stand
- Precision fit - drop in replacement for the original part

**CESSNA 208/208B TIE-DOWN TRIM PLATE**

<b>Part Number</b>	<b>Description</b>	<b>Eligibility</b>
AF2615118-1	Cargo Tie Down Trim Plate	C208 & C208B Passenger aircraft



- FAA PMA Approved direct replacement for Cessna P/N 2615118-1
- Powder coated aluminum compared to plastic OEM part
- Airforms part will not shatter when impacted at low temperatures
- Precision fit – drop in replacement for the original part
- Aircraft interface unchanged



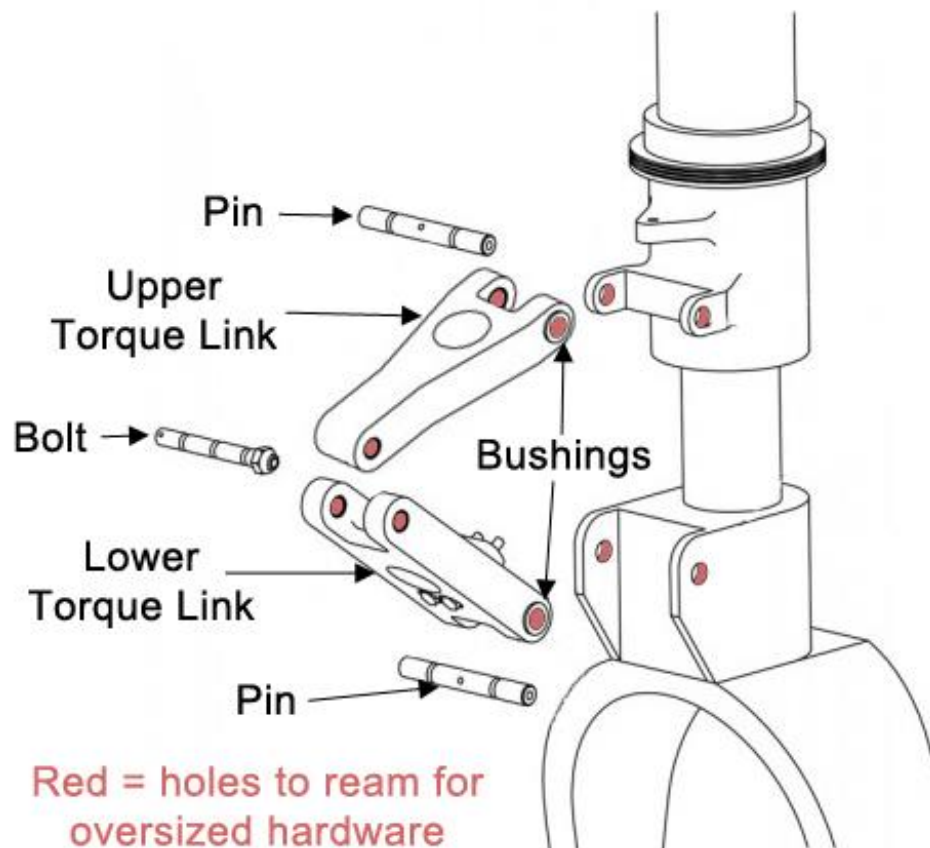
## CESSNA 208/208B CREW DOOR PANELS

Part Number	Description	Eligibility
AF2615180-1	LH Crew Door Panel	All C208 & 208B
AF2615180-2	RH Crew Door Panel	All C208 & 208B



- FAA PMA Approved direct replacement for Cessna P/N 2615180-1 and 2615180-2
- Identical to original Cessna part - matches color, includes retaining straps, fire extinguisher recess, large storage pocket, and certificate pouch
- Precision fit - drop in replacement for the original part
- Installation in aircraft unchanged

**CESSNA 208/208B TORQUE LINK REPAIR STC (Page 1 of 4)**



Airforms designed this STC to help operators keep the nose gear linkage tight and shimmy-free. As the torque link joints loosen over time the nose gear is prone to shimmy, especially when operating the larger diameter nose wheel. This STC acknowledges the fact that wear is going to happen over the life of the gear, but by providing oversized pins and a carefully designed set of tools, wear can be removed incrementally to keep the nose gear operating like new. Other options for nose gear maintenance require that the entire nose gear be removed and sent off to be repaired by a repair station. This STC allows the gear to remain on the aircraft and the specialized tool kit allows the wear points to be reamed to exact sizes, even in the field. We've put a lot of thought into this and we truly hope that this STC will dramatically reduce the number of nose gear swaps you must accomplish to keep your Caravan operating.

## CESSNA 208/208B TORQUE LINK REPAIR STC (Page 2 of 4)

### Some Highlights

#### What does the Airforms Torque Link Pin STC do for my 208/208B?

- Allows for the replacement of loose C208/208B Nose Gear torque link pins and bolts (Cessna Part Numbers 2643091-1 & 2643092-1)
- Allows for reaming of the torque links, bushings and aircraft attachment points, and installation of Airforms Part Numbers AF2643091-1 & AF2643092-1 in graduating oversizes to remove joint slop
- STC can be installed on aircraft without removing nose gear, including reaming operations with available specialty tool kit
- Torque links that were previously shelved for not meeting the maintenance manual limits can be evaluated and potentially put back into service
- **Huge potential for savings during the 40,000 cycle Nose Gear Life Limit**

#### What about the parts?

- Oversized FAA PMA'd pins & bolts available in .010, .020 and .030 oversizes
- Standard sized pins & bolts also available
- FAA or EASA approved STC sold separately
- Precision machined pins and bolts are Cad plated for long life

#### What else do I need to install?

- Tool kits available with piloted reamers for all 3 oversizes
- Shim washer installation to accommodate joint wear at center pivot

### CESSNA 208/208B TORQUE LINK REPAIR PARTS (Page 3 of 4)

Part Number	Description	Eligibility
AF2643085-200	Bushing - Standard	All C208 & 208B
AF2643091-1	Pin - Standard	All C208 & 208B
AF2643091-1010	Pin, 0.010 Oversized (STC req'd)	All C208 & 208B
AF2643091-1020	Pin, 0.020 Oversized (STC req'd)	All C208 & 208B
AF2643091-1030	Pin, 0.030 Oversized (STC req'd)	All C208 & 208B
AF2643092-1	Bolt - Standard	All C208 & 208B
AF2643092-1010	Bolt, 0.010 Oversized (STC req'd)	All C208 & 208B
AF2643092-1020	Bolt, 0.020 Oversized (STC req'd)	All C208 & 208B
AF2643092-1030	Bolt, 0.030 Oversized (STC req'd)	All C208 & 208B



- Torque Link Pins & Bolts available in standard size as well as .010, .020, .030 oversizes
- Pins, Bolts and Bushings are FAA PMA Approved
- Precision machined Pins and Bolts are Cad plated for long life
- STC and specialty reamer kits available separately
- Standard washers available to prevent lateral play

**CESSNA 208/208B TORQUE LINK REPAIR STC TOOL KITS (Page 4 of 4)**

<b>Part Number</b>	<b>Description</b>	<b>Eligibility</b>
ReamerKit.010	0.010 Oversize pin reamer & bolt reamer, includes tap handle (STC req'd)	All C208/208B
ReamerKit.020	0.020 Oversize pin reamer & bolt reamer, includes tap handle (STC req'd)	All C208/208B
ReamerKit.030	0.030 Oversize pin reamer & bolt reamer, includes tap handle (STC req'd)	All C208/208B
ReamerKit-Master	0.010, 0.020 & 0.030 Oversize pin reamer & bolt reamers, includes tap handle (STC req'd)	All C208/208B



- For use with Airforms Torque Link Repair STC
- Specially designed Self-Piloting Reamers ensure reaming to exact sizes – even in the field
- Each kit contains a long and a short reamer and a ratcheting tap handle
- Kits available in .010, .020, .030 oversizes, or buy all 6 reamers and a tap handle in the master kit



**CESSNA 208/208B TORQUE LINK**

Part Number	Description	Eligibility
AF2643084-1	Upper Torque Link	All C208 & C208B
AF2643084-2	Lower Torque Link	All C208 & C208B



- FAA PMA Approved direct replacement for Cessna P/Ns 2643084-1 and 2643084-2
- Airforms part provides one of the hardest aluminum surfaces to reduce wear
- Airforms part designed to prevent cracking in threaded grease fitting holes
- Precision fit – drop in replacement for the original part
- Ready for installation

**CESSNA 208/208B HIGH STRENGTH WHEEL BOLT STC**

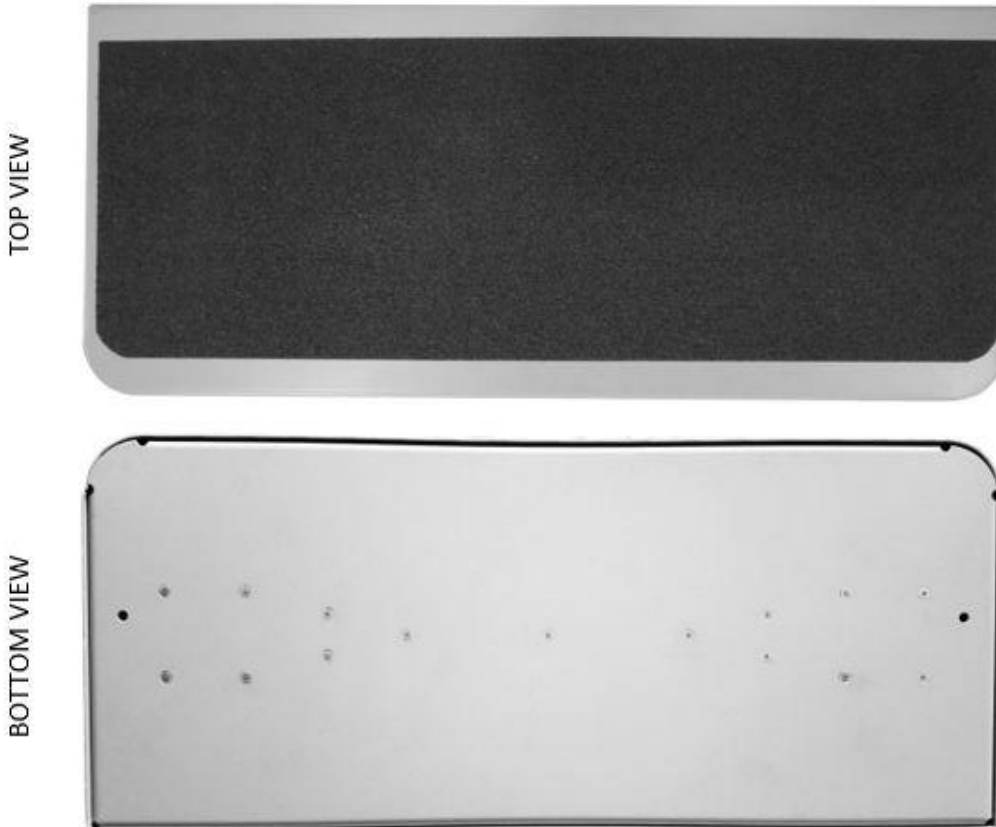
Part Number	Description	Eligibility
AFC-208BOLTKIT-STC.058	STC & Wheel Bolt Kit (for aircraft without brake spacers)	All C208 & C208B
AFC-208BOLTKIT-STC.060	STC & Wheel Bolt Kit (for aircraft with brake spacers)	All C208 & C208B
AFC-208BOLTKIT.058	Wheel Bolt Kit (for aircraft without brake spacers, STC req'd)	All C208 & C208B
AFC-208BOLTKIT.060	Wheel Bolt Kit (for aircraft with brake spacers, STC req'd)	All C208 & C208B
AFC-208BOLTKIT-STC-Only	STC for Wheel Bolts	All C208 & C208B

- Replaces AN5 wheel hardware with high strength mil-spec hardware
- Wheel bolt kit includes high strength bolts, washers, and nuts
- No changes to continued airworthiness requirements
- STC is FAA & EASA approved



**CESSNA 208/208B PASSENGER DOOR STEP**

Part Number	Description	Eligibility
AF2617076-1	Passenger Door Step	All C208 & C208B



- FAA PMA & STC Approved
- Direct replacement for upper, middle and lower step (2617076-10, -11, -1)
- Aluminum construction, powder coated to help prevent weathering & damage
- Withstands Significantly More Weight Than OEM Part
- Provides Longer Service Life Than OEM Steps
- Comes with Slip-Resistant Tape Installed
- Substantial Savings vs. OEM

**CESSNA 208/208B DOOR HINGES**

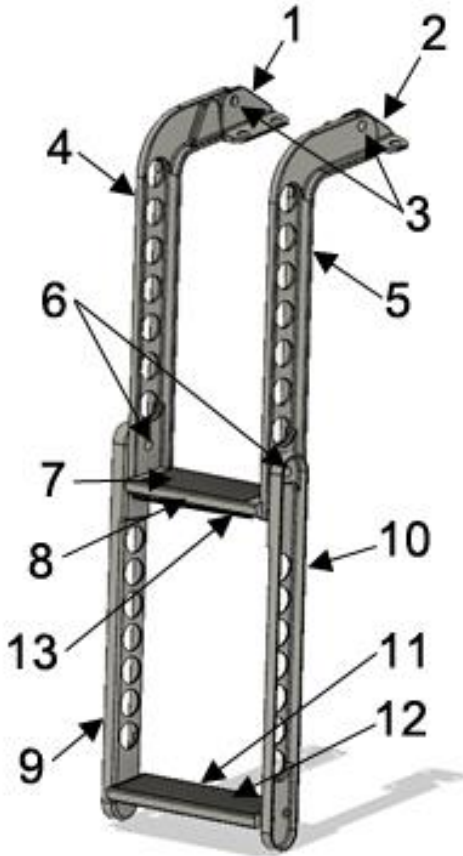
Eligibility: All Cessna 208/208B

Standard Hinge Part #	Bushed Hinge Part #
AF2617015-17	AF2617015-17B
AF2617015-18	AF2617015-18B
AF2617015-19	AF2617015-19B
AF2617015-20	AF2617015-20B
AF2617015-21	AF2617015-21B
AF2617015-22	AF2617015-22B
AF2617015-23	AF2617015-23B
AF2617015-24	AF2617015-24B
AF2617015-26	AF2617015-26B
Bushings Part #	
AF2617015-025 (short)	
AF2617015-049 (long)	



- Standard and bushed hinges are FAA PMA approved replacements for OEM hinges
- Precision machined for superior fit, corrosion resistant finish for long life
- Bushed Hinges allow for multiple repairs as bushings wear – OEM Hinges Only Allow a Single Repair (Cessna Service Bulletin CAB96-2)
- FAA PMA Approved Bushings Also Sold Separately

**CESSNA 208/208B CREW STEP LADDER**



- FAA PMA Approved for most C208 & C208B/EX models
- Superior bushing material in upper and lower arm assemblies eliminates galvanic corrosion issues
- Each ladder assembly receives a complete primer coat finish to further reduce incidence of corrosion and simplify finish coat application
- A fraction of the cost of OEM replacements
- Precision machined for the finest fit and finish
- Approved Replacements for OEM Part Numbers 2606033-41 & 2606033-41-1
- Individual PMA Approved components are compatible with OEM components and are sold separately

Item	Part Number	Description	Eligibility
All	AF2606033-41-1	Complete Crew Step Ladder	All C208/208B
1	AF2606033-36	LH Bracket Assembly	All C208/208B
2	AF2606033-37	RH Bracket Assembly	All C208/208B
3	AF133-4P28	Bracket Spacers	All C208/208B
4	AF2606033-43	LH Upper Arm Assembly	All C208/208B
5	AF2606033-44	RH Upper Arm Assembly	All C208/208B
6	AF133-4P32	Arm Spacers	All C208/208B
7	AF2606033-15	Tread Only– Upper Step	S/N 0001-0308, B0001-B5425
8	AF2606033-12	Upper Step Assembly with Tread	S/N 0001-0308, B0001-B5425
9	AF2606033-2	LH Lower Arm Assembly	All C208/208B
10	AF2606033-4	RH Lower Arm Assembly	All C208/208B
11	AF2606033-10	Lower Step Assembly with Tread	S/N 0001-0308, B0001-B5425
12	AF2606033-14	Tread Only – Lower Step	S/N 0001-0308, B0001-B5425
13	AF2615055-1	Armrest	All C208/208B