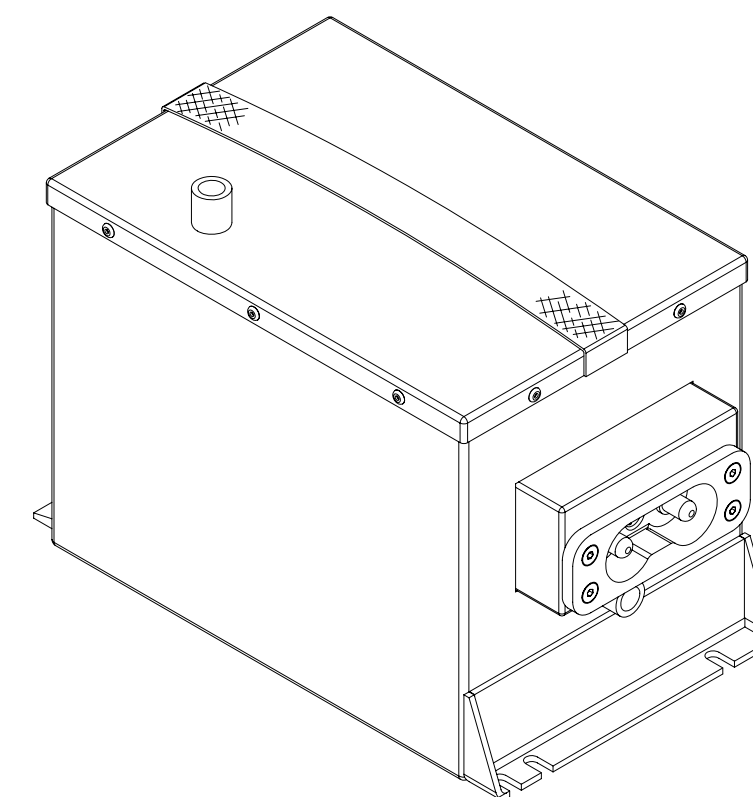
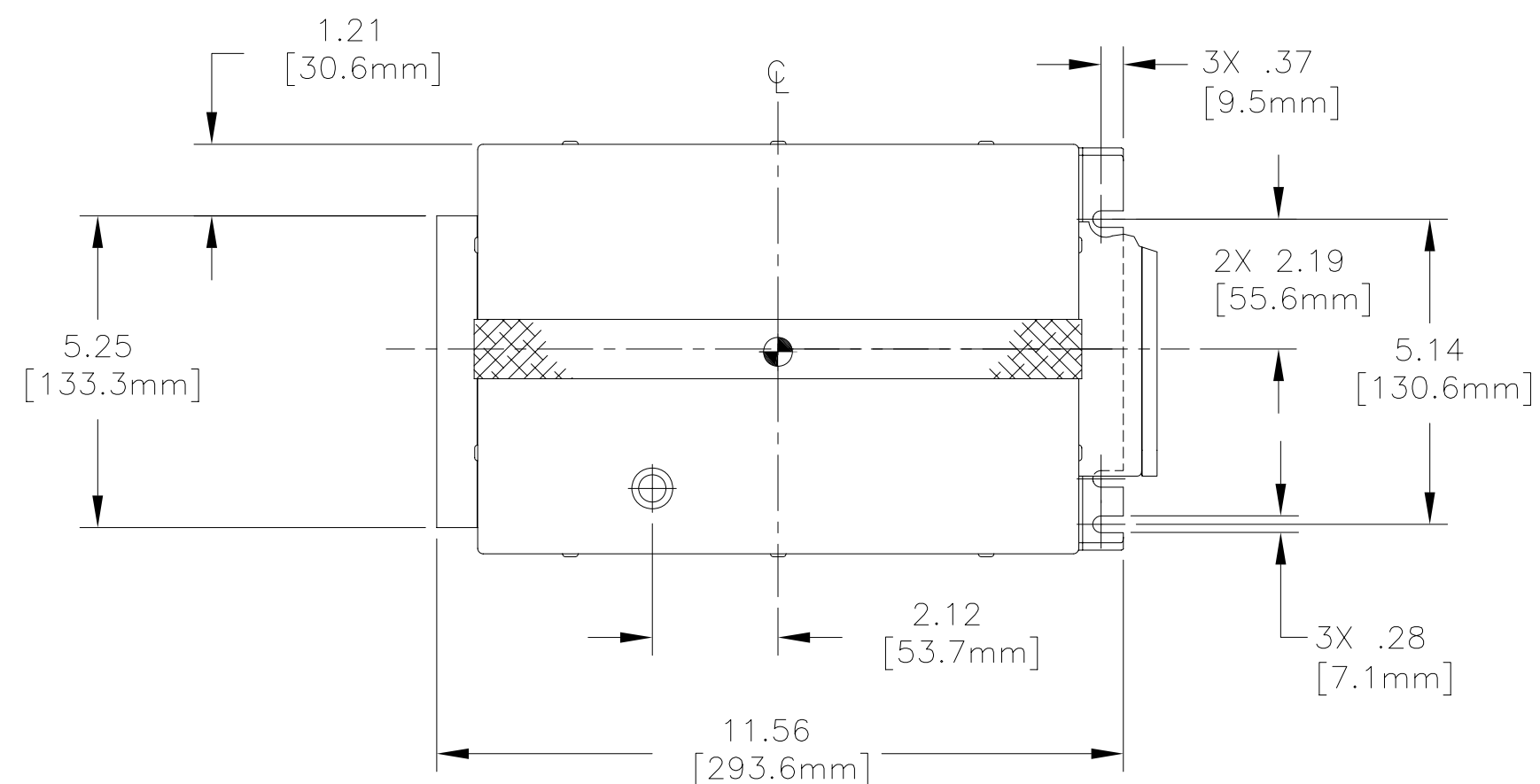


NOTES: UNLESS OTHERWISE SPECIFIED

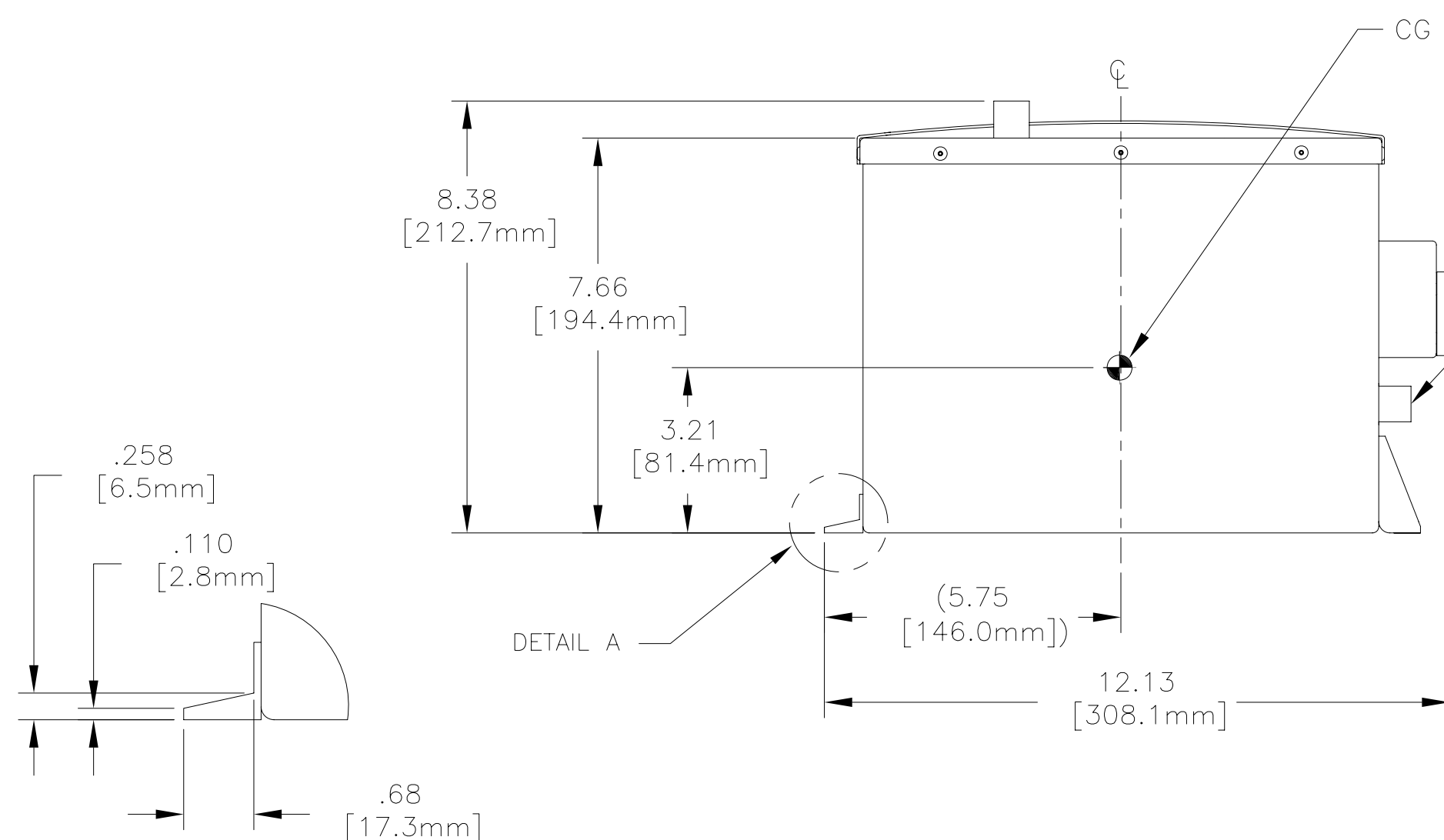
1. MANUFACTURED AND INSPECTED IAW AS9100 QUALITY SYSTEM REQUIREMENTS.
2. ABBREVIATION USED IN TITLE IS: VALVE REGULATED SEALED LEAD ACID (VRSLA).

3. SEE DRAWING NO. CB-00359 AND PROCEDURE P-1000 FOR ASSEMBLY AND TEST INSTRUCTION. PROCEDURES AND ASSEMBLY DRAWINGS ARE FOR INTERNAL USE ONLY.
4. BATTERIES ARE RATED IAW INTERNATIONAL ELECTROTECHNICAL COMMISSION STANDARD 60952-1 AND RTCA STANDARD DO-293, UNLESS OTHERWISE NOTED.
5. DIMENSIONS ARE INCH [MILLIMETERS].

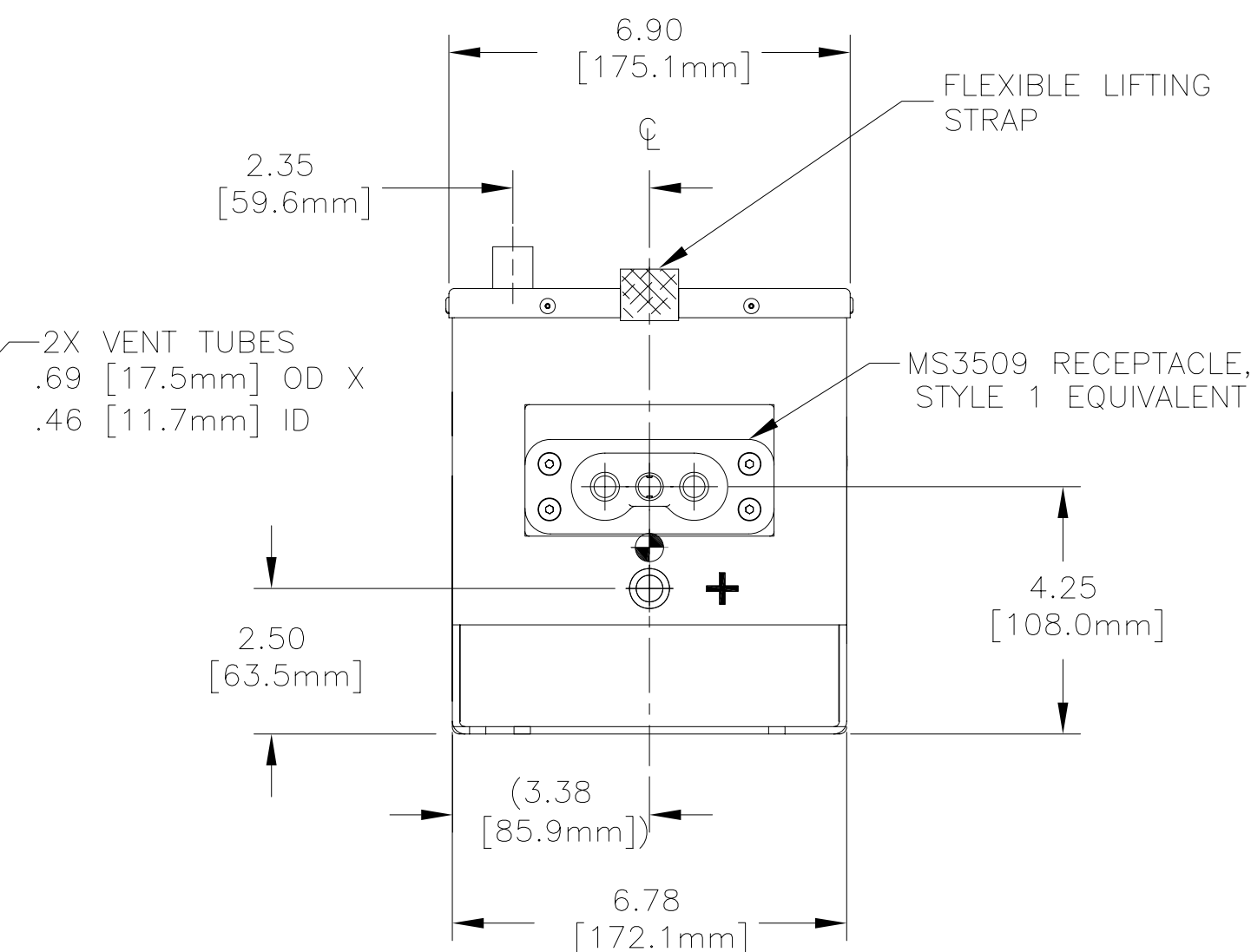
REVISIONS			
REV	DESCRIPTION	DATE	APPROVED
A	REVISED RATINGS, RECEPTACLE AND TOP VENT TUBE	10/27/09	JBT
B	REVISED C ₁ RATE, WEIGHT, & NOTES; ADDED CG	10/14/10	JBT
C	ADDED SLOT TO FRONT HLDN	11/29/10	JBT
D	MAX WT: CORRECTED KG VALUE	3/24/11	JBT



REFERENCE VIEW



DETAIL A



ENVELOPE DRAWING

PART NUMBER	RG-224
MAXIMUM WEIGHT	51 LBS [23.1 KG]
RATED CAPACITY, C ₁	24 AH
POWER RATING AT 23°C	lpp 1025 A, lpr 650 A
POWER RATING AT -18°C	lpp 725 A, lpr 500 A
POWER RATING AT -30°C	lpp 575 A, lpr 400 A

QTY REQD	CAGE CODE	PART OR IDENTIFYING NO.	NOMENCLATURE OR DESCRIPTION	MATERIAL SPECIFICATION	ITEM NO.	
PARTS LIST						
UNLESS OTHERWISE SPECIFIED DIMENSIONS ARE IN INCHES TOLERANCES ARE:			CONTRACT NO.			
FRACTIONS DECIMALS ANGLES			CONCORDE BATTERY CORPORATION			
± 1/32 .XX ±.06 ± 1'			2009 SAN BERNARDINO RD, W. COVINA, CA 91790			
.XXX ± .030			TITLE			
			BATTERY, VRSLA, 24 VOLT			
TREATMENT	NONE	CHECKED	AMIII	12/1/06	SIZE	
FINISH	NONE	APPROVED	JBT	12/11/06	CAGE CODE	
SIMILAR TO	ACT WT	CALC WT	ISSUED	JJ	3/25/11	DWG NO.
						RG-224
						REV
						D
						SCALE
						NONE
						SHEET
						1 OF 1