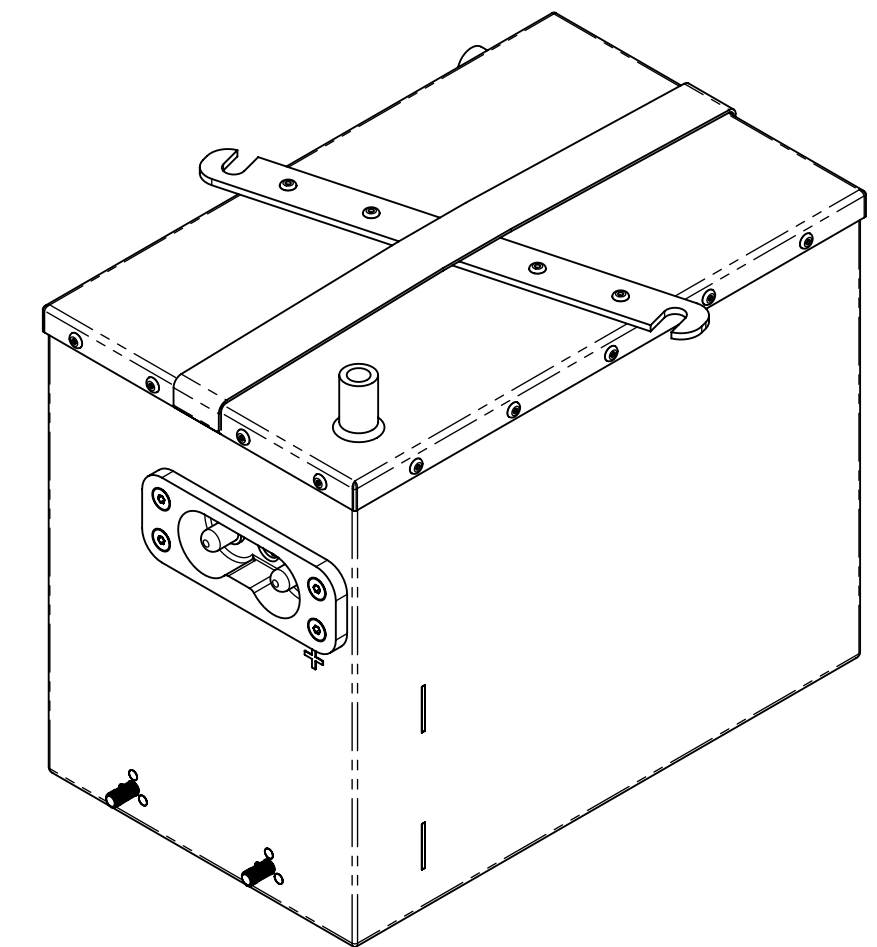
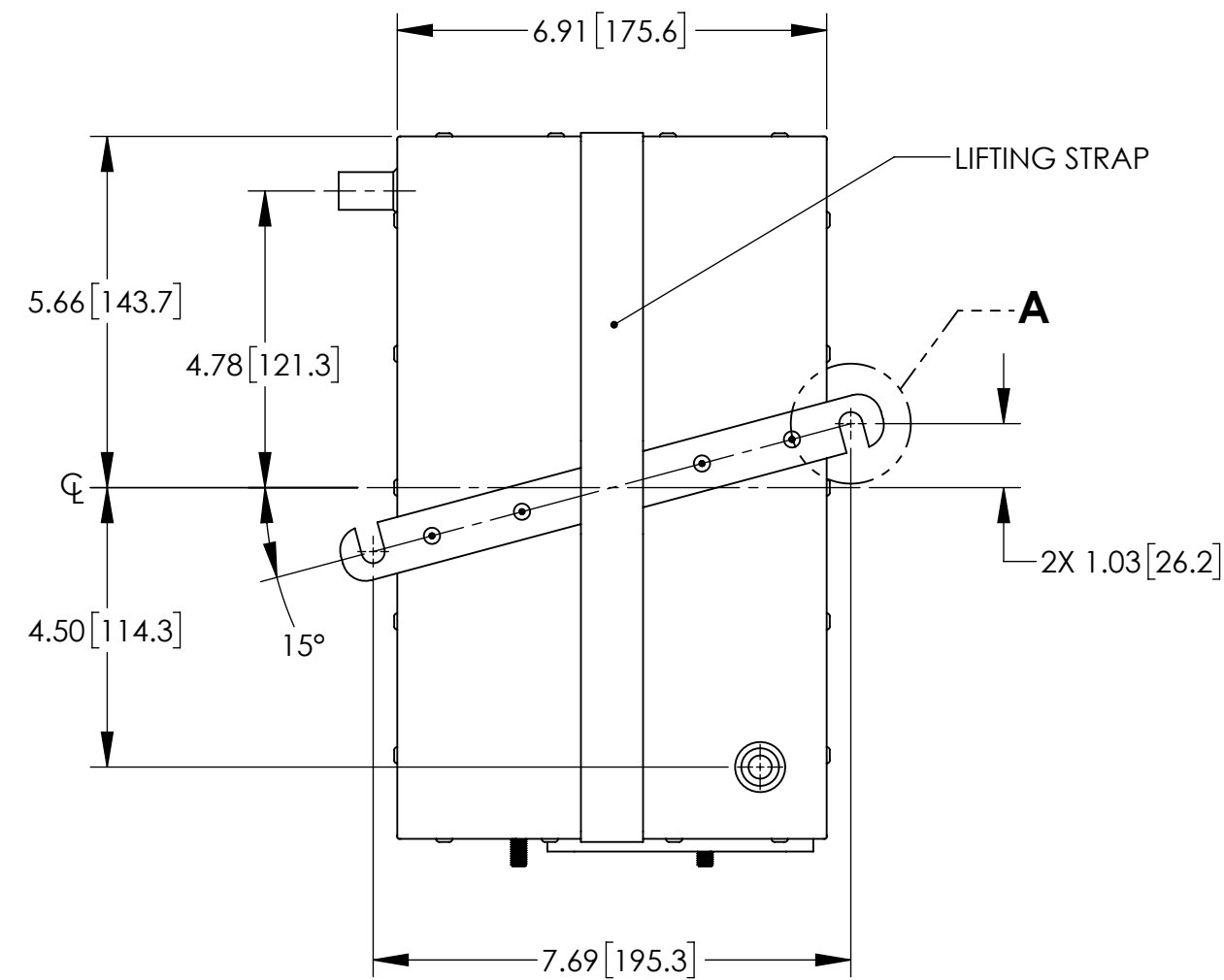


NOTES: UNLESS OTHERWISE SPECIFIED

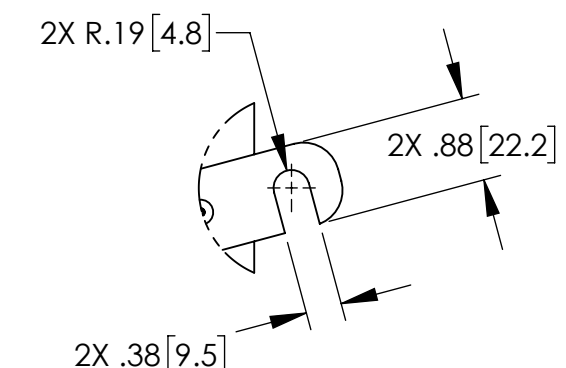
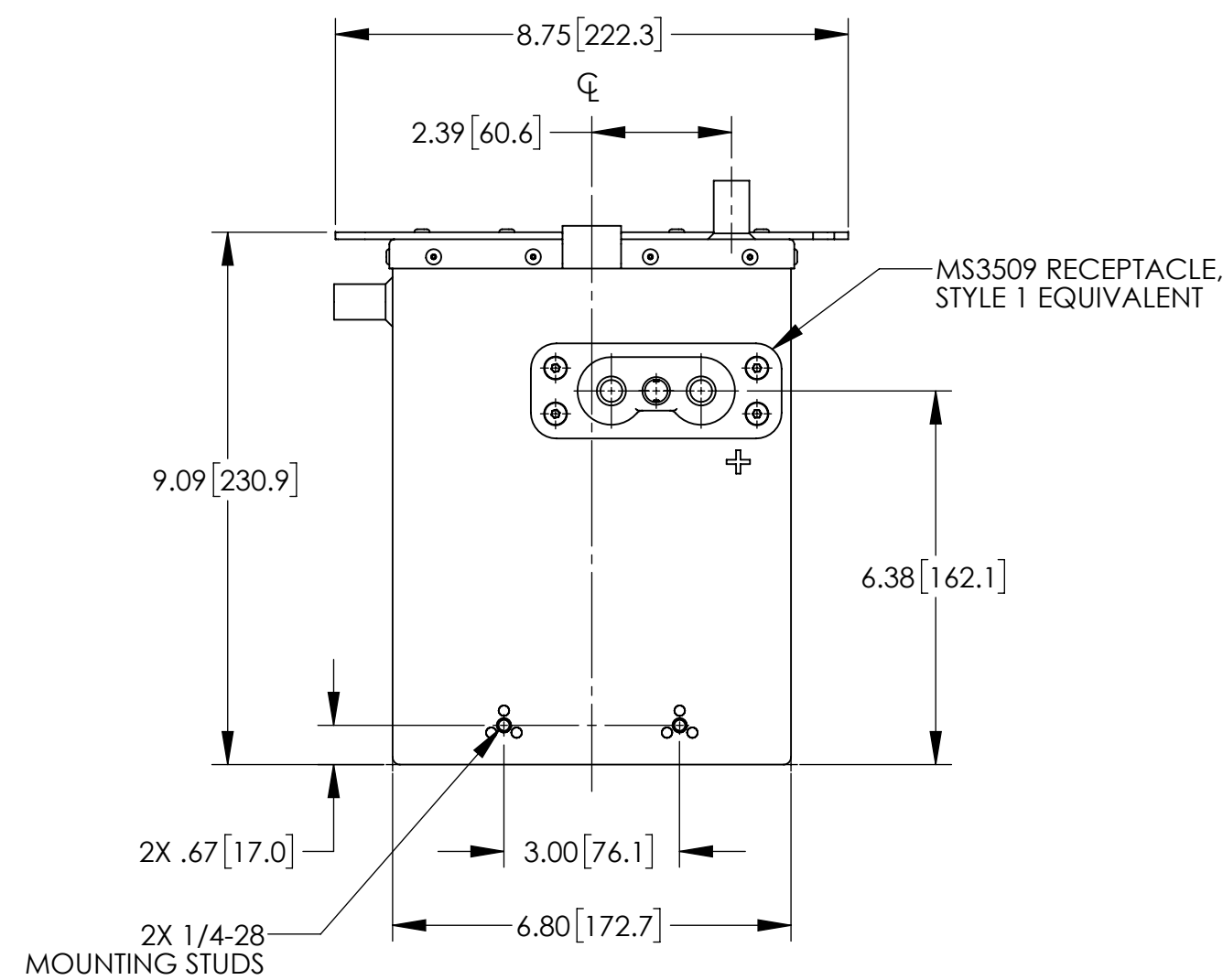
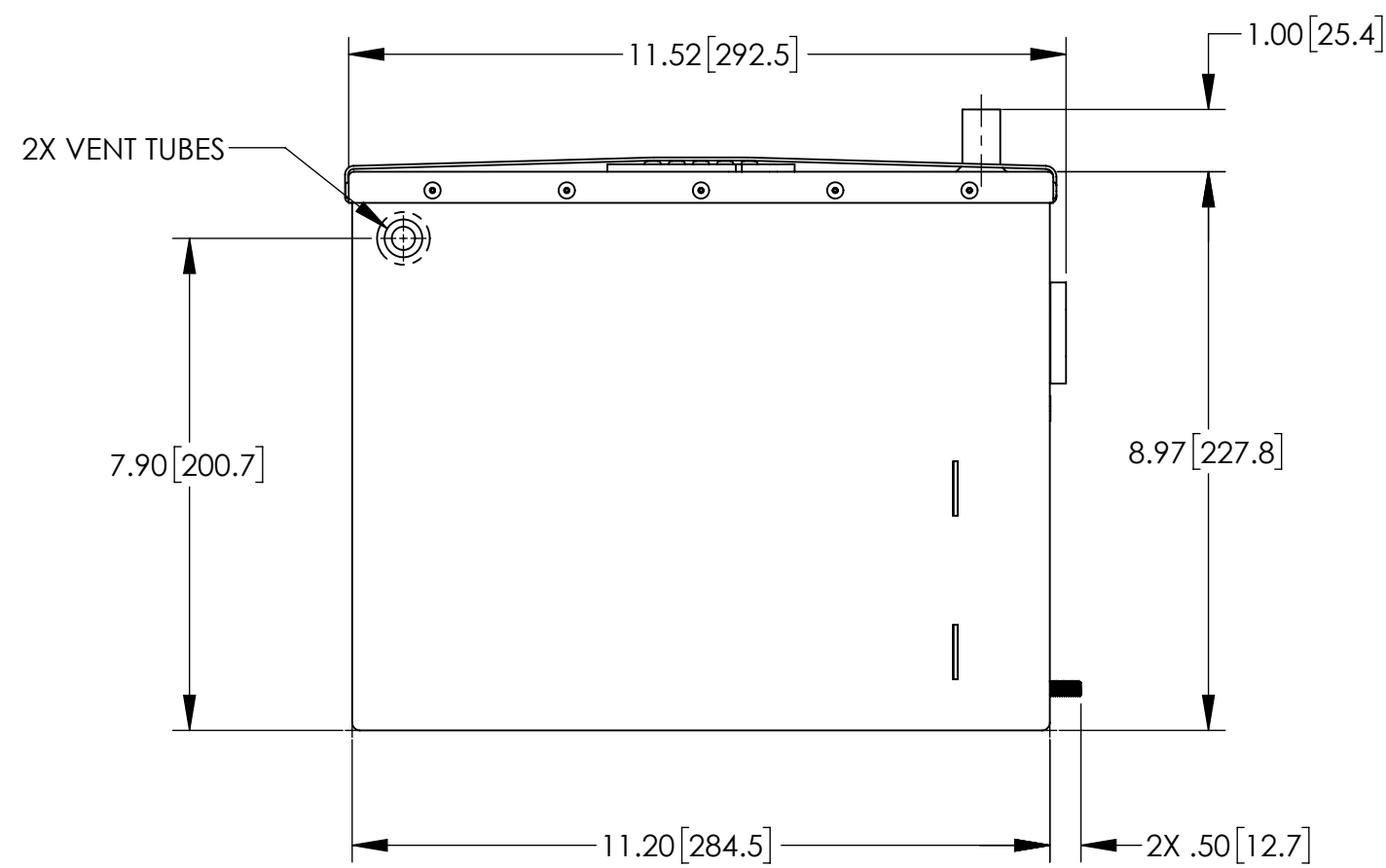
1. MANUFACTURED AND INSPECTED IAW AS9100 QUALITY SYSTEM REQUIREMENTS.
2. ABBREVIATION USED IN TITLE IS: VALVE REGULATED SEALED LEAD ACID (VRSLA).
3. SEE DRAWING NO. CB-00399 AND PROCEDURE P-1000 FOR ASSEMBLY AND TEST INSTRUCTION. PROCEDURES AND ASSEMBLY DRAWINGS ARE FOR INTERNAL USE ONLY.
4. BATTERIES ARE RATED IAW INTERNATIONAL ELECTROTECHNICAL COMMISSION STANDARD 60952-1 AND RTCA STANDARD DO-293A, UNLESS OTHERWISE NOTED.
5. DIMENSIONS ARE INCH [MILLIMETER].

REVISIONS			
REV	DESCRIPTION	DATE	APPROVED

PART NUMBER	RG-292-103A
MAXIMUM WEIGHT	53 LBS [24 KG]
RATED CAPACITY, C ₁	24 AH
POWER RATING AT 23°C	I _{pp} 1025 A, I _{pr} 650 A
POWER RATING AT -18°C	I _{pp} 725 A, I _{pr} 500 A
POWER RATING AT -30°C	I _{pp} 575 A, I _{pr} 400 A



REFERENCE VIEW



**DETAIL A
SCALE 1 : 2**

ENVELOPE DRAWING

UNLESS OTHERWISE SPECIFIED DIMENSIONS ARE IN INCHES TOLERANCES ARE:			CONTRACT NO.		CONCORDE BATTERY CORPORATION 2009 SAN BERNARDINO RD, W. COVINA, CA 91790		
FRACTIONS	DECIMALS	ANGLES	APPROVALS	DATE	TITLE		
±1/32	.XX ±.06 .XXX ±.030	±1°	R. MURRIETTA	1/31/18	BATTERY, VRSLA, 24 VOLT		
TREATMENT	NONE	CHECKED	AMIII	1/31/18	SIZE	CAGE CODE	DWG NO.
FINISH	NONE	APPROVED	PH	2/1/18	C	63017	RG-292-103A
SIMILAR TO	CALC WT	ISSUED	JG	2/1/18	SCALE	1:3	SHEET 1 OF 1