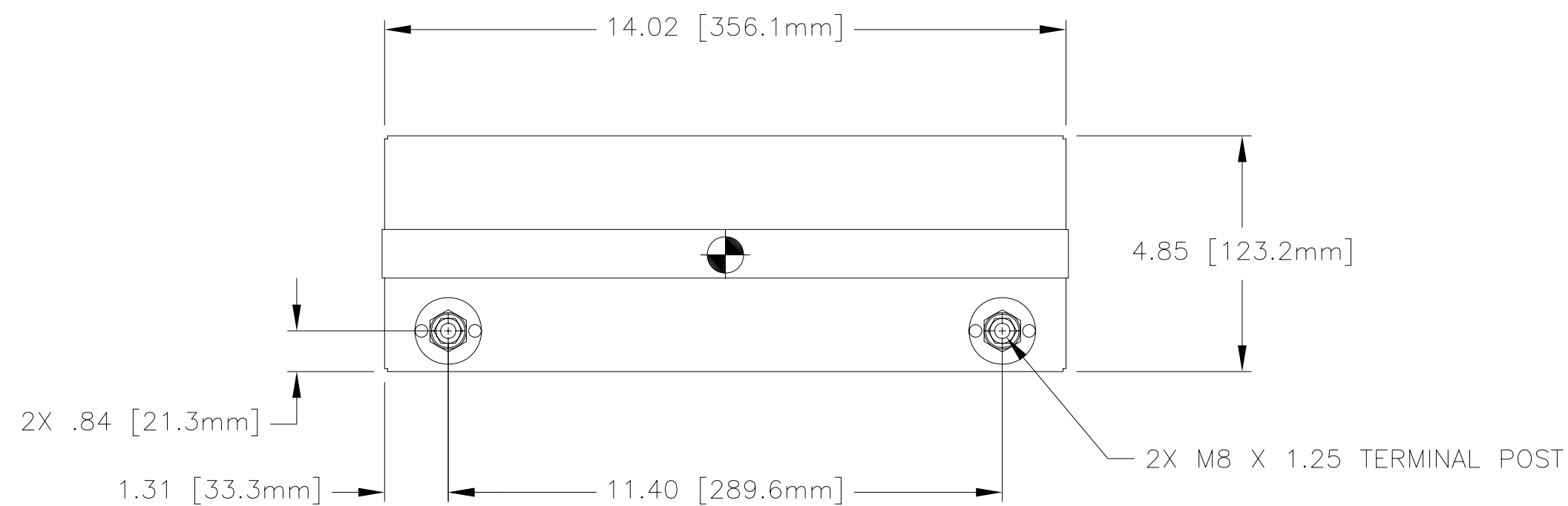


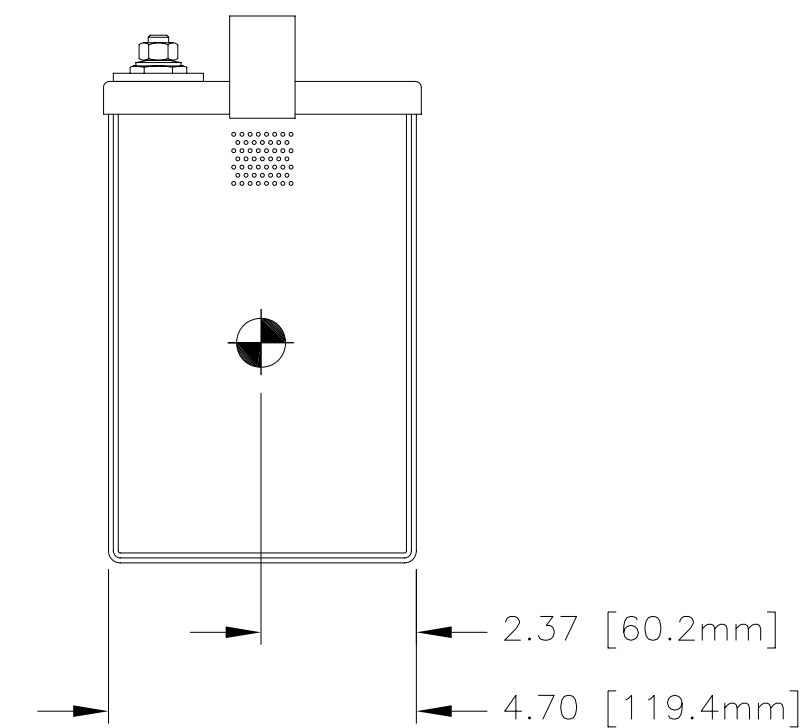
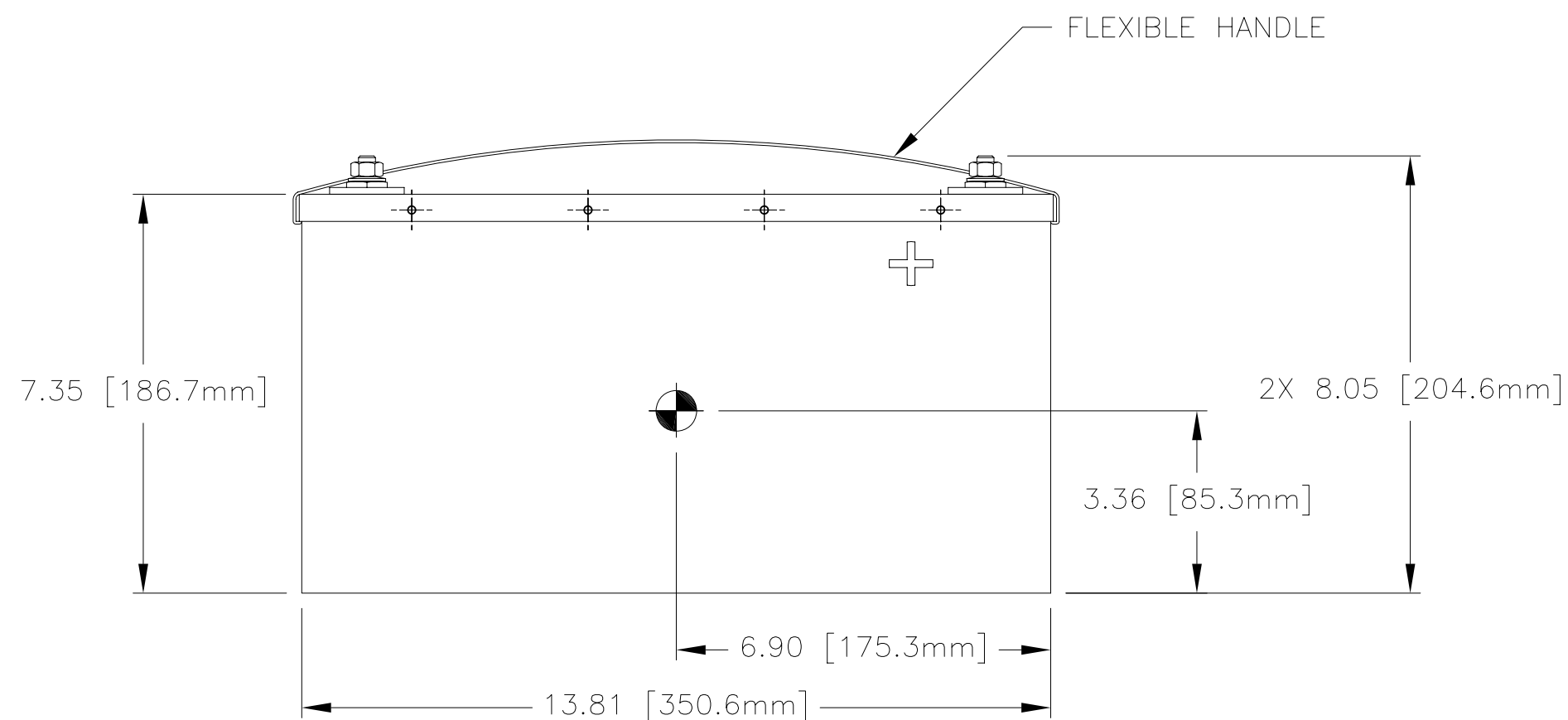
NOTES: UNLESS OTHERWISE SPECIFIED

1. MANUFACTURED AND INSPECTED IAW AS9100 QUALITY SYSTEM REQUIREMENTS.
2. ABBREVIATION USED IN TITLE IS: VALVE REGULATED SEALED LEAD ACID (VRSLA).
3. SEE DRAWING NUMBER CB-00228 AND PROCEDURE P-1000 FOR ASSEMBLY AND TEST INSTRUCTION. PROCEDURES AND ASSEMBLY DRAWINGS ARE FOR INTERNAL USE ONLY.
4. BATTERIES ARE RATED IAW INTERNATIONAL ELECTROTECHNICAL COMMISSION STANDARD 60952-1 AND RTCA DO-293, UNLESS OTHERWISE NOTED.

REVISIONS			
REV	DESCRIPTION	DATE	APPROVED
A	SEE DCN 0279	4/7/98	JBT
B	ADDED VENT HOLES & NEW TERMINAL INSULATOR CONFIG WEIGHT WAS 41 LBS	9/29/99	JBT
C	UPDATED NOTES 1, 2, 5, AND RATINGS PER TSO TEST	11/6/09	JBT
D	ADDED CG WITH DIMS, DELETED NOTES 1 & 6, RENUM NOTES 2 THRU 5	4/8/10	JBT



PART NUMBER	RG-355
MAXIMUM WEIGHT	41.5 LBS [18.8 KG]
RATED CAPACITY, C ₁	17 AH
POWER RATING AT 23°C	I _{pp} 900 A, I _{pr} 625 A
POWER RATING AT -18°C	I _{pp} 600 A, I _{pr} 425 A
POWER RATING AT -30°C	I _{pp} 450 A, I _{pr} 300 A



ENVELOPE DRAWING

QTY REQD	FSCM NO.	PART OR IDENTIFYING NO.	NOMENCLATURE OR DESCRIPTION	MATERIAL SPECIFICATION	ITEM NO.
PARTS LIST					
UNLESS OTHERWISE SPECIFIED DIMENSIONS ARE IN INCHES TOLERANCES ARE:		CONTRACT NO.		CONCORDE BATTERY CORPORATION 2009 SAN BERNARDINO RD, W. COVINA, CA 91790	
FRACTIONS	DECIMALS	ANGLES	APPROVALS	DATE	TITLE
± 1/32	.XX ± .06 ± 1'		DRAWN AMIII	11/5/96	BATTERY, VRSLA, 24 VOLT
	.XXX ± .030		CHECKED AMIII	3/10/97	
TREATMENT	NONE		APPROVED DG	3/10/97	SIZE FSCM NO. DWG. NO. REV
FINISH	NONE		ISSUED JJ	4/12/10	C 63017 RG-355 D
SIMILAR TO	ACT WT	CALC WT			SCALE NONE SHEET 1 OF 1