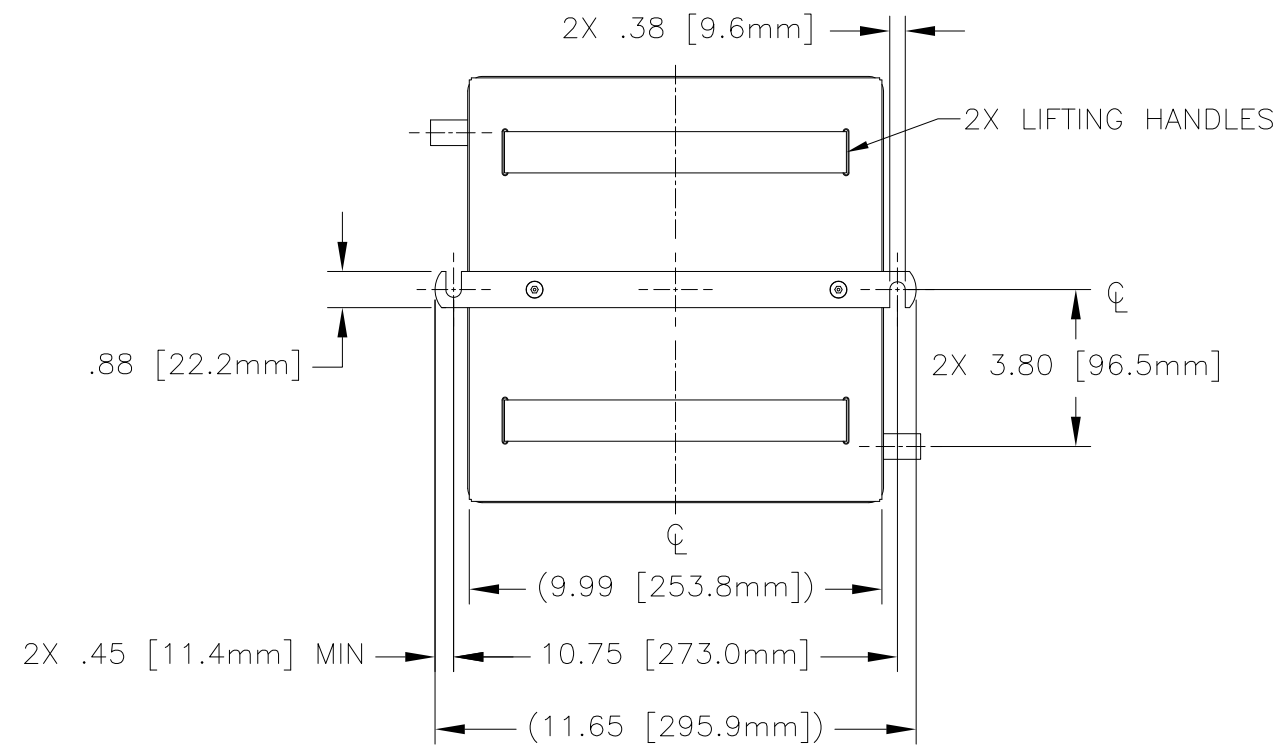


NOTES: UNLESS OTHERWISE SPECIFIED

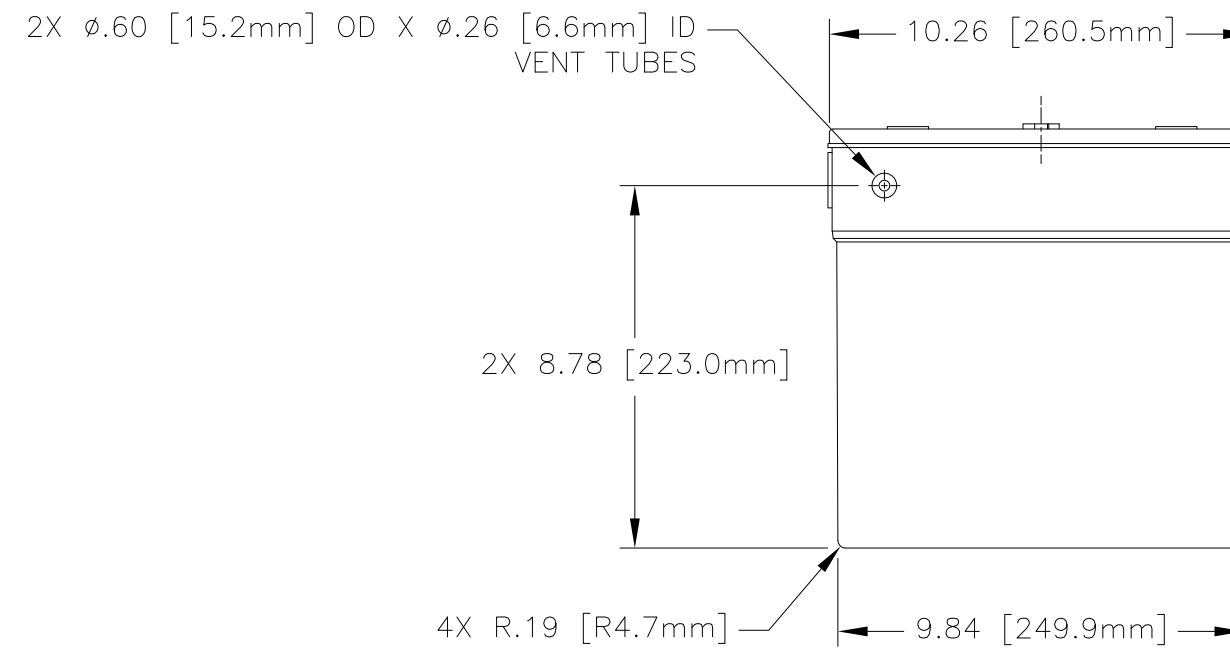
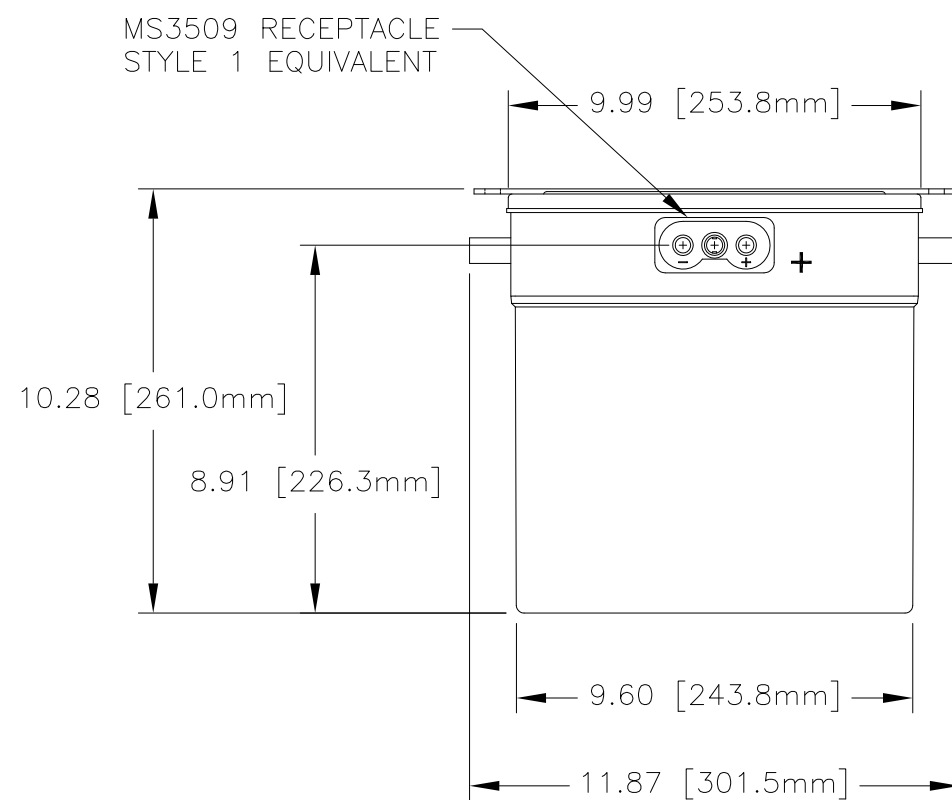
1. BATTERY CONFORMS TO THE DESIGN REQUIREMENTS OF 14 CFR PARTS 23.1353, 25.1353(c), 27.1353, 29.1353(c).
2. INSPECT PER FAR 21.303(h) QUALITY SYSTEM.
3. ABBREVIATION USED IN TITLE IS: VALVE REGULATED SEALED LEAD ACID (VRSLA).
4. SEE DRAWING CB-00150 AND PROCEDURE P-1000 FOR ASSEMBLY AND TEST INSTRUCTION. PROCEDURES AND ASSEMBLY DRAWINGS ARE FOR INTERNAL USE ONLY.

5. BATTERIES ARE RATED IAW INTERNATIONAL ELECTROTECHNICAL COMMISSION STANDARD 60952-1 AND RTCA STANDARD DO-293, UNLESS OTHERWISE NOTED.
6. DIMENSIONS ARE IN INCH [MILLIMETER].

REVISIONS			
REV	DESCRIPTION	DATE	APPROVED
A	REVISED COVER, ADDED LIFTING HANDLES	5/8/14	JBT



PART NUMBER	RG-380E/40B
MAXIMUM WEIGHT	81 LBS [36.7 KG]
RATED CAPACITY, C ₁	38 AH
POWER RATING AT 23°C	I _{pp} 1350A, I _{pr} 1050A
POWER RATING AT -18°C	I _{pp} 900A, I _{pr} 750A
POWER RATING AT -30°C	I _{pp} 650A, I _{pr} 550A



ENVELOPE DRAWING

QTY REQD	CAGE CODE	PART OR IDENTIFYING NO.	NOMENCLATURE OR DESCRIPTION	MATERIAL SPECIFICATION	ITEM NO.
PARTS LIST					
UNLESS OTHERWISE SPECIFIED DIMENSIONS ARE IN INCHES TOLERANCES ARE:			CONCORDE BATTERY CORPORATION		
FRACTIONS DECIMALS ANGLES			2009 SAN BERNARDINO RD, W. COVINA, CA 91790		
± 1/32 .XX ± .06 ± 1°			TITLE BATTERY, VRSLA, 24 VOLT, RG-380E/40B		
.XXX ± .030			SIZE CAGE CODE DWG NO. REV		
TREATMENT	NONE	CHECKED AMIII	5/22/08	C	63017 RG-380E/40B A
FINISH	NONE	APPROVED JBT	5/22/08	SCALE	1/4 SHEET 1 OF 1
SIMILAR TO	ACT WT	CALC WT	ISSUED BJ	5/8/14	