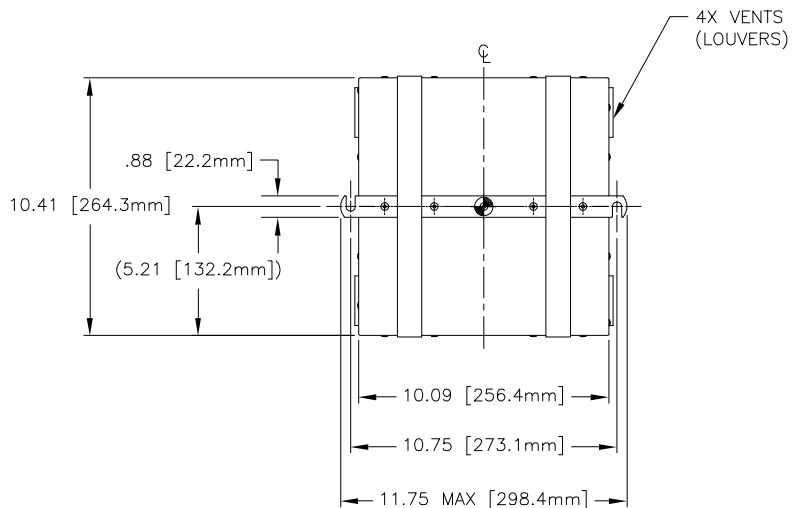


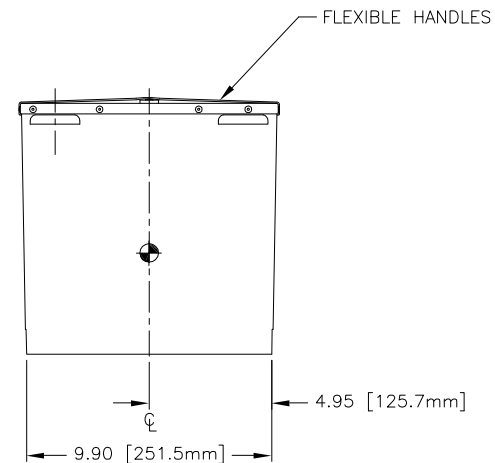
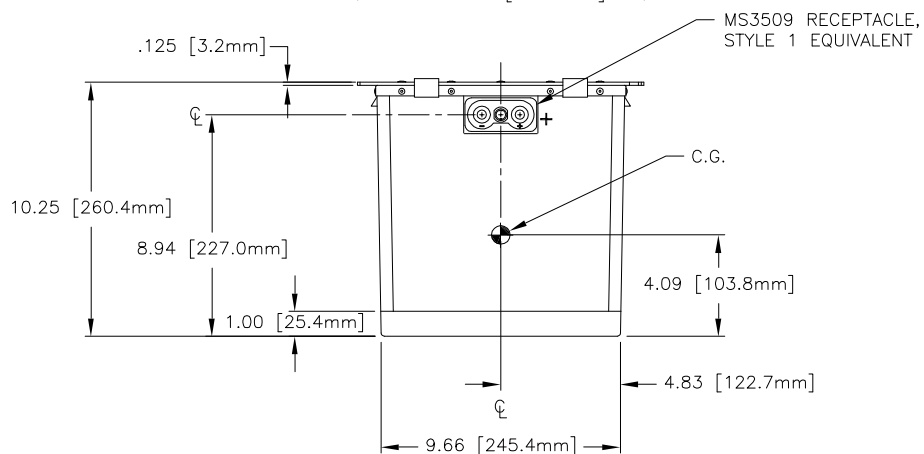
NOTES: UNLESS OTHERWISE SPECIFIED

- ABBREVIATION USED IN TITLE IS: VALVE REGULATED SEALED LEAD ACID (VRSLA).
- BATTERY CONFORMS TO THE DESIGN REQUIREMENTS OF 14 CFR PARTS 23.1353, 25.1353(c), 27.1353, 29.1353(c).
- INSPECT PER FAR 21.303(h) QUALITY SYSTEM.
- "K" SUFFIX DENOTES A "FIRE RESISTANT" EXTERNAL CONTAINER CONSTRUCTED OF 5052 ALUMINUM ALLOY. "KS" SUFFIX DENOTES A "FIRE PROOF" EXTERNAL CONTAINER CONSTRUCTED OF STAINLESS STEEL.
- SEE DRAWING NUMBER CB-00218 AND PROCEDURE P-1000 FOR ASSEMBLY AND TEST INSTRUCTIONS. PROCEDURES AND ASSEMBLY DRAWINGS ARE FOR INTERNAL USE ONLY.
- BATTERIES ARE RATED IAW INTERNATIONAL ELECTROTECHNICAL COMMISSION STANDARD 60952-1 AND RTCA STANDARD DO-293, UNLESS OTHERWISE NOTED.
- DIMENSIONS ARE IN INCH [MILLIMETER].

REVISIONS			
REV	DESCRIPTION	DATE	APPROVED
A	CORRECTED TYPO, NOTE 4	9/30/08	JBT



PART NUMBER	RG-380E/40K	RG-380E/40KS
MAXIMUM WEIGHT	84 LBS [38.1 KG]	86 LBS [39.0 KG]
RATED CAPACITY, C <sub>1</sub>	38 AH	
POWER RATING AT 23°C	Ipp 1350A, Ipr 1050A	
POWER RATING AT -18°C	Ipp 900A, Ipr 750A	
POWER RATING AT -30°C	Ipp 650A, Ipr 550A	



ENVELOPE DRAWING

QTY REQD	CAGE CODE	PART OR IDENTIFYING NO.	NOMENCLATURE OR DESCRIPTION	MATERIAL SPECIFICATION	ITEM NO.
PARTS LIST					
UNLESS OTHERWISE SPECIFIED DIMENSIONS ARE IN INCHES TOLERANCES ARE:		CONTRACT NO.		CONCORDE BATTERY CORPORATION	
FRACTIONS ± 1/32	DECIMALS .XX ± .06	ANGLES ± 1'	APPROVALS	DATE	2009 SAN BERNARDINO RD, W. COVINA, CA 91790
	.XXX ± .030		DRAWN A. MISTRETTA	5/15/08	TITLE BATTERY, VRSLA, 24 VOLT, RG-380E/40K(S) SERIES
TREATMENT	NONE	CHECKED AMIII	5/22/08	SIZE C	CAGE CODE 63017
FINISH	NONE	APPROVED JBT	5/22/08	DWG NO. RG-380E/40K	REV A
SIMILAR TO	ACT WT	CALC WT	ISSUED AT	9/30/08	SCALE NONE
				SHEET 1 OF 1	

ENGINEERING COPY 30SEP08