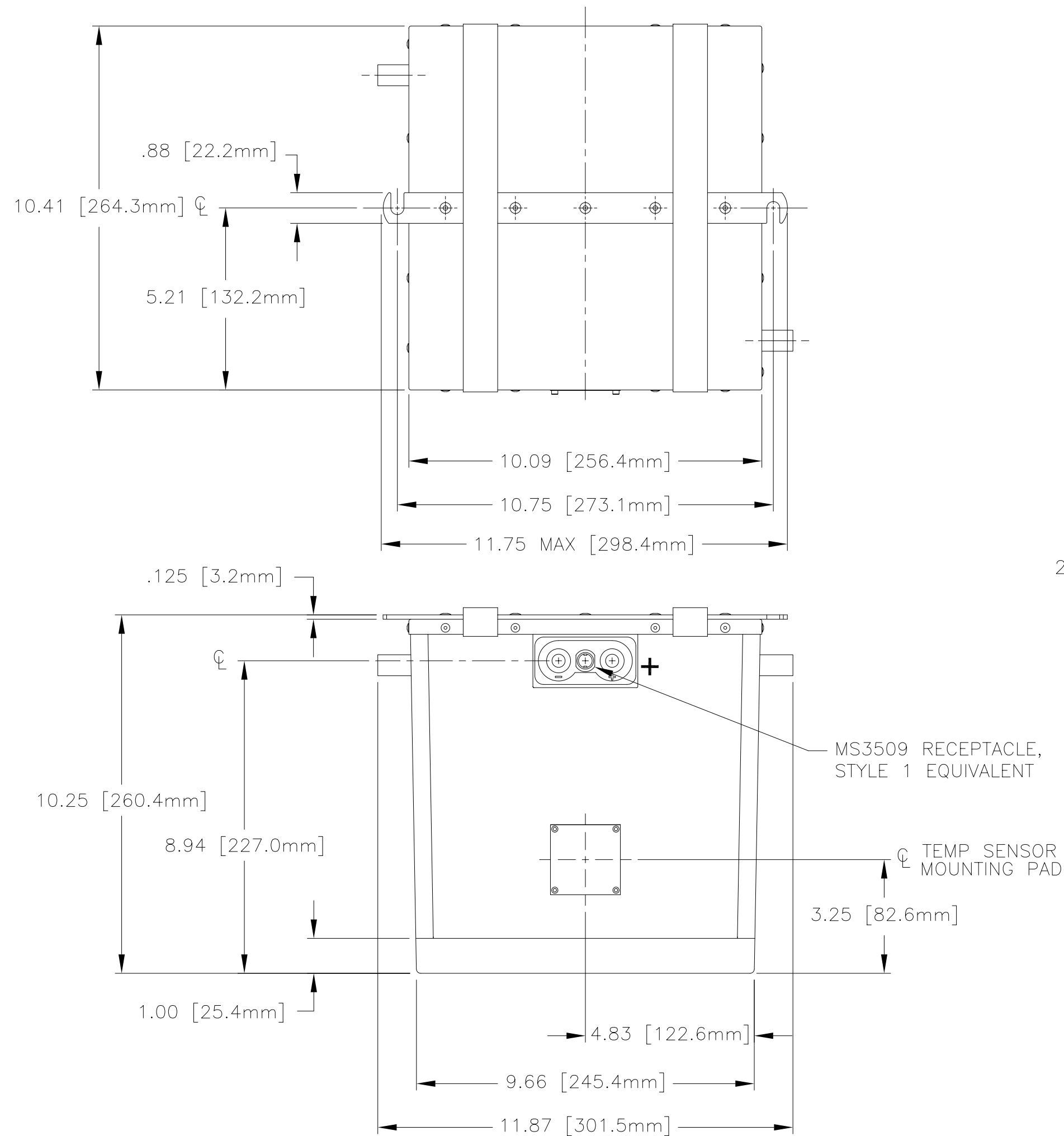


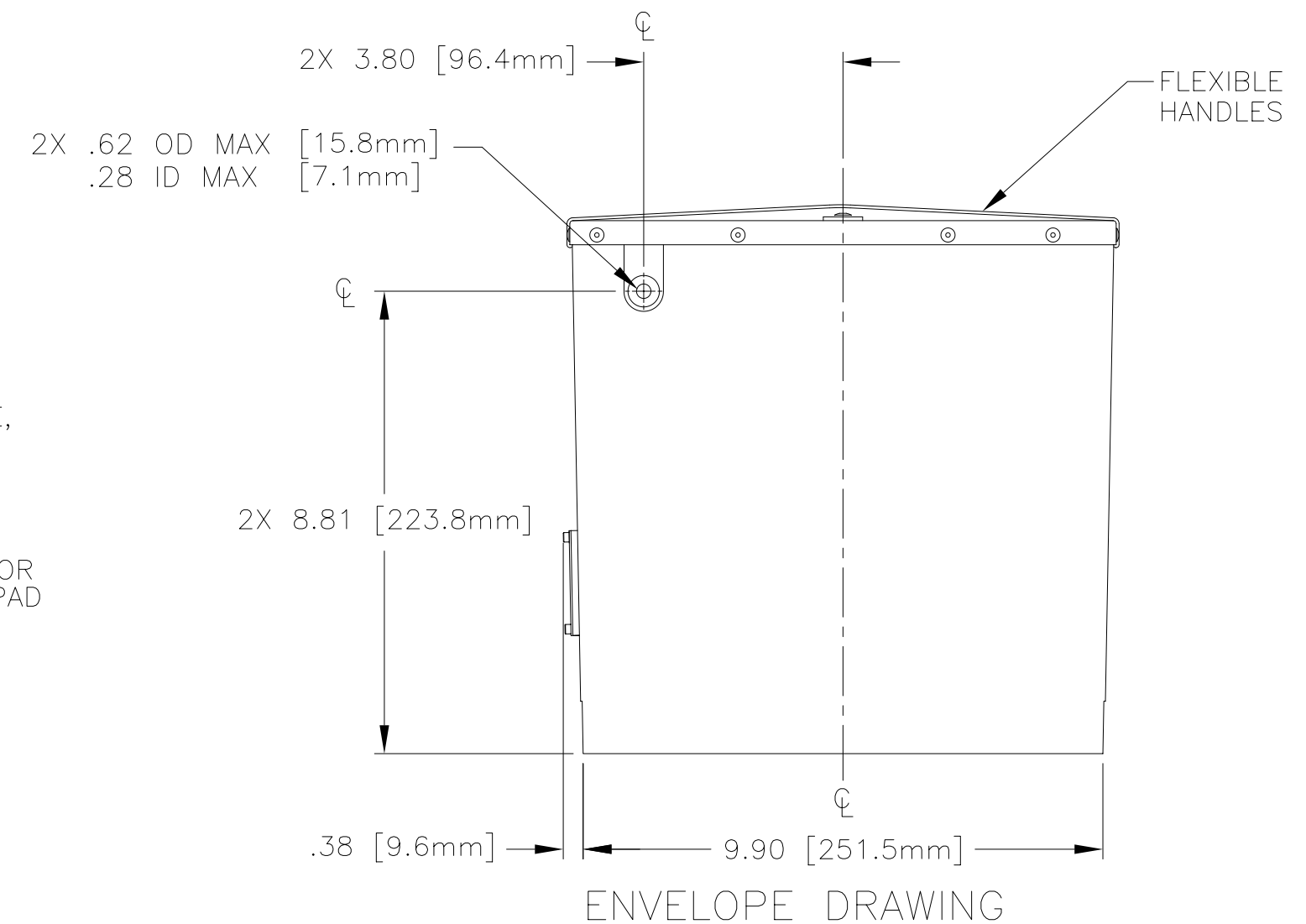
NOTES: UNLESS OTHERWISE SPECIFIED

REVISIONS			
REV	DESCRIPTION	DATE	APPROVED

- ABBREVIATION USED IN TITLE IS: VALVE REGULATED SEALED LEAD ACID (VRSLA).
- BATTERY CONFORMS TO THE DESIGN REQUIREMENTS OF 14 CFR PARTS 23.1353, 25.1353(c), 27.1353, 29.1353(c).
- INSPECT PER FAR 21.303(h) QUALITY SYSTEM.
- "L" SUFFIX DENOTES A "FIRE RESISTANT" EXTERNAL CONTAINER CONSTRUCTED OF 5052 ALUMINUM ALLOY. "LS" SUFFIX DENOTES A "FIRE PROOF" EXTERNAL CONTAINER CONSTRUCTED OF STAINLESS STEEL.
- SEE DRAWING NUMBER CB-00224 AND PROCEDURE P-1000 FOR ASSEMBLY AND TEST INSTRUCTIONS. PROCEDURES AND ASSEMBLY DRAWINGS ARE FOR INTERNAL USE ONLY.
- BATTERIES ARE RATED IAW INTERNATIONAL ELECTROTECHNICAL COMMISSION STANDARD 60952-1 AND RTCA STANDARD D0-293, UNLESS OTHERWISE NOTED.
- DIMENSIONS ARE IN INCH [MILLIMETER].
- BATTERY MAY BE FITTED WITH CONCORDE TS-XX SERIES TEMPERATURE SENSOR.



PART NUMBER	RG-380E/44L	RG-380E/44LS
MAXIMUM WEIGHT	89 LBS [40.4 KG]	91 LBS [41.3 KG]
RATED CAPACITY, C ₁	42 AH	
POWER RATING AT 23°C	I _{pr} 1000 A, I _{pp} 1350 A	
POWER RATING AT -18°C	I _{pr} 750 A, I _{pp} 875 A	
POWER RATING AT -30°C	I _{pr} 600 A, I _{pp} 750 A	



QTY	REQD	CAGE CODE	PART OR IDENTIFYING NO.	NOMENCLATURE OR DESCRIPTION	MATERIAL SPECIFICATION	ITEM NO.
PARTS LIST						
UNLESS OTHERWISE SPECIFIED DIMENSIONS ARE IN INCHES TOLERANCES ARE:				CONTRACT NO.		
FRACTIONS DECIMALS ANGLES				CONCORDE BATTERY CORPORATION		
± 1/32° .XX ± .06 ± 1°				2009 SAN BERNARDINO RD, W. COVINA, CA 91790		
.XXX ± .030				TITLE BATTERY, VRSLA, 24 VOLT, RG-380E/44L(S) SERIES		
TREATMENT		NONE		APPROVALS	DATE	TITLE
FINISH		NONE		DRAWN A. MISTRETTA	5/12/08	SIZE CAGE CODE
SIMILAR TO		ACT WT CALC WT		CHECKED AMIII	5/12/08	DWG NO. RG-380E/44L
				APPROVED JBT	5/13/08	REV
				ISSUED NS	5/13/08	SCALE NONE
						SHEET 1 OF 1