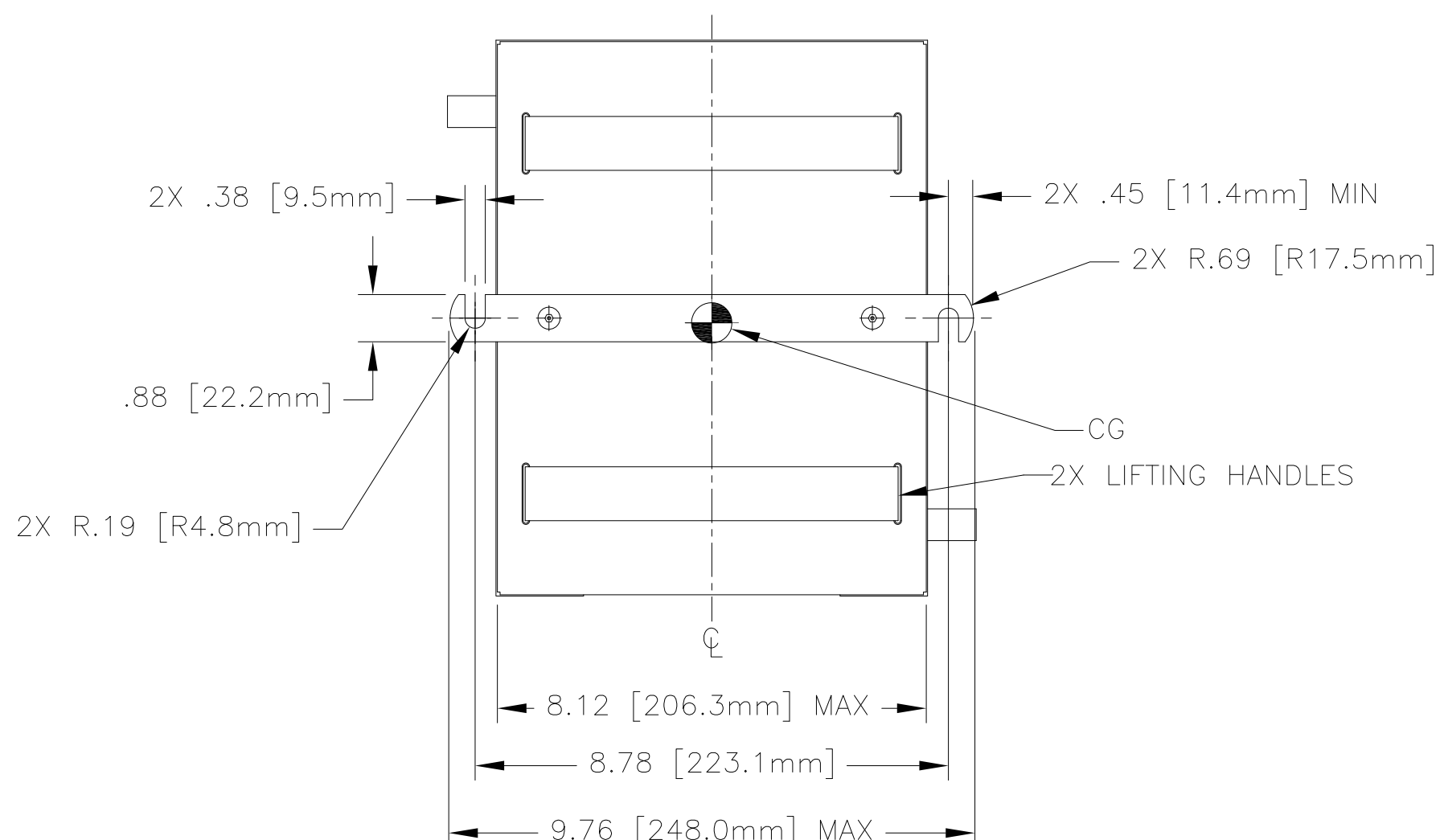


NOTES: UNLESS OTHERWISE SPECIFIED

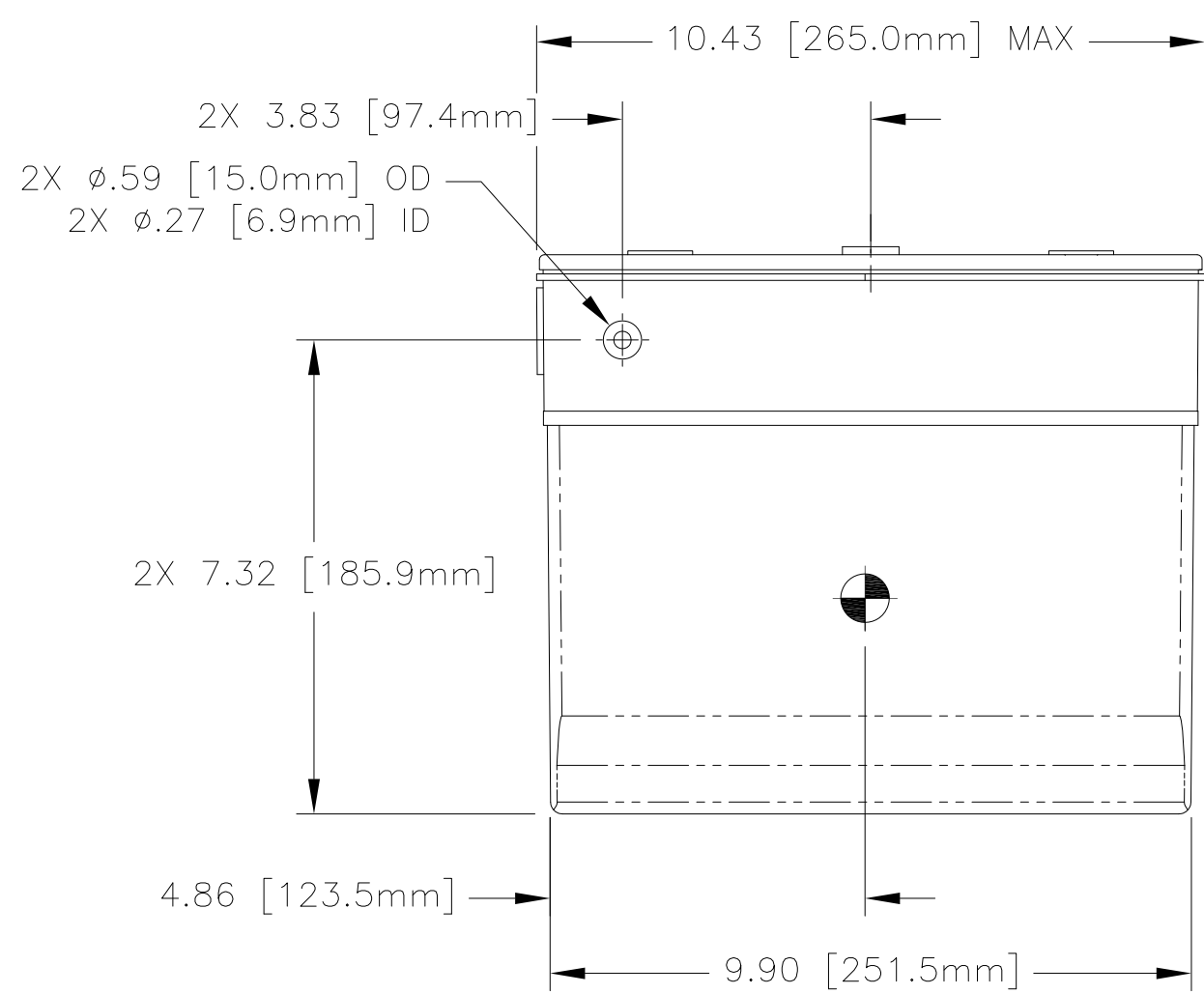
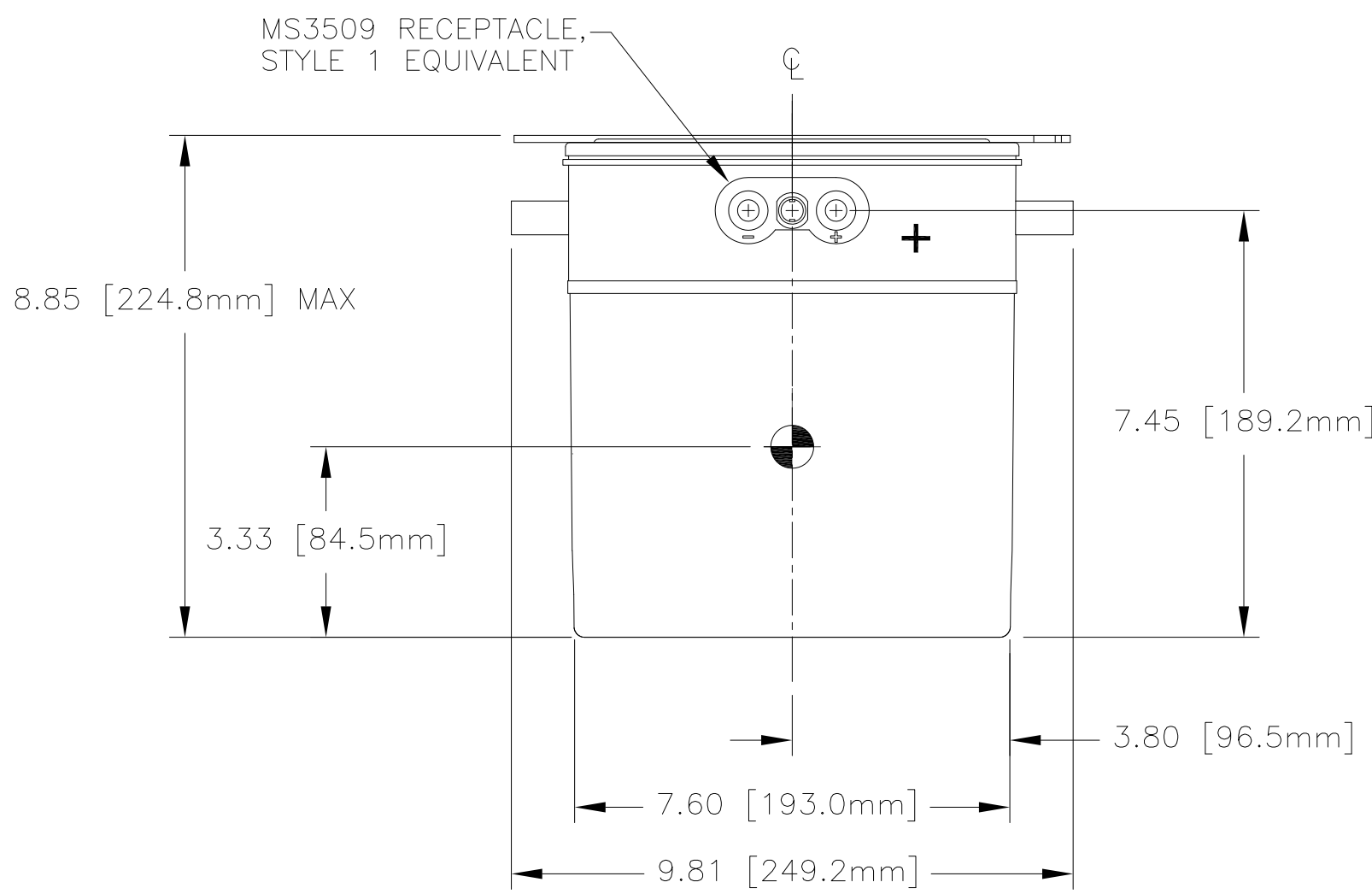
1. MANUFACTURED AND INSPECTED IAW AS9100 QUALITY SYSTEM REQUIREMENTS.
2. ABBREVIATION USED IN TITLE IS: VALVE REGULATED SEALED LEAD ACID (VRSLA).
3. SEE DRAWING NO. CB-00331 AND PROCEDURE P-1000 FOR ASSEMBLY AND TEST INSTRUCTION. PROCEDURES AND ASSEMBLY DRAWINGS ARE FOR INTERNAL USE ONLY.

4. BATTERIES ARE RATED IAW INTERNATIONAL ELECTROTECHNICAL COMMISSION STANDARD 60952-1 AND RTCA STANDARD DO-293, UNLESS OTHERWISE NOTED.

REVISIONS			
REV	DESCRIPTION	DATE	APPROVED
M	SEE DCN RG390EM	10/30/08	JBT
N	ADDED C OF G WITH DIMS, REVISED NOTES	3/19/10	JBT
P	REVISED DRAFT ON CONTAINER SIDE WALLS	8/13/10	JBT
R	DELETED NOTE 5	11/6/12	JBT
T	REVISED COVER, ADDED LIFTING HANDLES	5/8/14	JBT



PART NUMBER	RG-390E
MAXIMUM WEIGHT	62 LBS [28.1 KG]
RATED CAPACITY, C ₁	28 AH
POWER RATING AT 23°C	I _{pp} 1350 A, I _{pr} 950 A
POWER RATING AT -18°C	I _{pp} 1025 A, I _{pr} 800 A
POWER RATING AT -30°C	I _{pp} 800 A, I _{pr} 600 A



ENVELOPE DRAWING

QTY REQD	CAGE CODE	PART OR IDENTIFYING NO.	NOMENCLATURE OR DESCRIPTION	MATERIAL SPECIFICATION	ITEM NO.
PARTS LIST					
UNLESS OTHERWISE SPECIFIED DIMENSIONS ARE IN INCHES TOLERANCES ARE: FRACTIONS DECIMALS ANGLES ± 1/32 .XX ± .06 ± 1' .XXX ± .030			CONCORDE BATTERY CORPORATION 2009 SAN BERNARDINO RD, W. COVINA, CA 91790		
TREATMENT		APPROVALS		DATE	
NONE		DRAWN JT		4/4/89	
FINISH		CHECKED KOSS		11/23/94	
NONE		APPROVED KOSS		11/23/94	
SIMILAR TO		ISSUED BJ		5/9/14	
ACT WT		CALC WT		SCALE NONE	
TITLE			REV		
BATTERY, VRSLA, 24 VOLT			T		
SIZE		CAGE CODE		DWG NO.	
C		63017		RG-390E	
SHEET		1 OF		1	