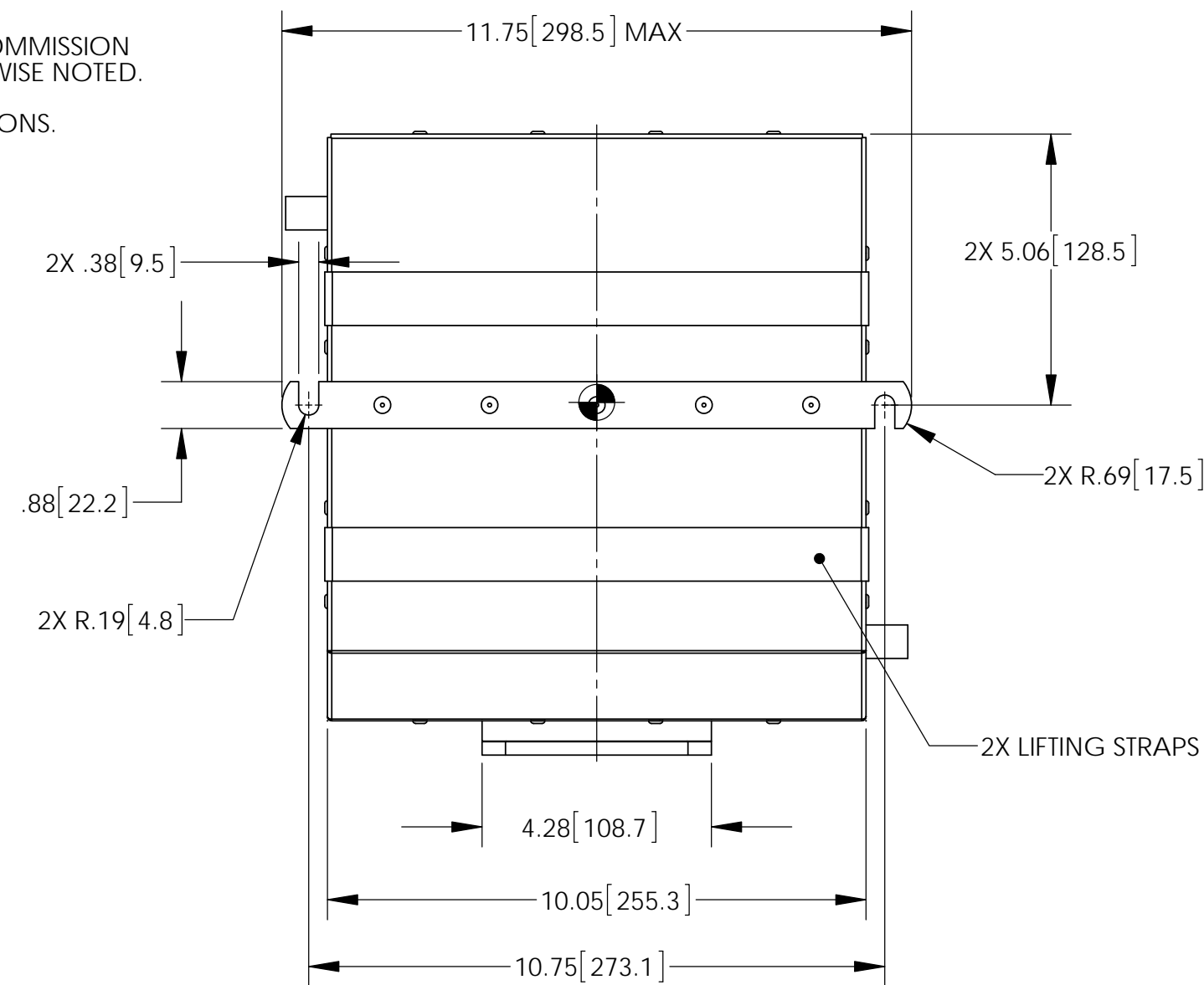


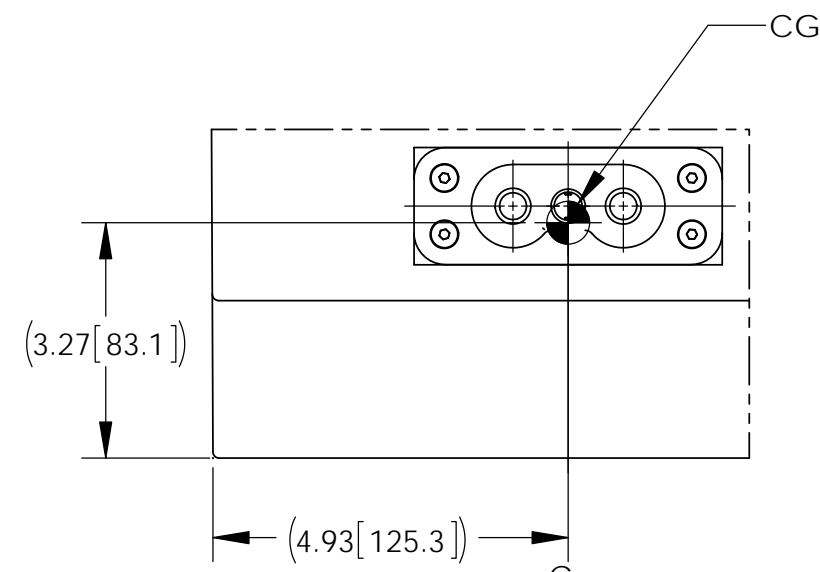
NOTES: UNLESS OTHERWISE SPECIFIED

1. MANUFACTURED AND INSPECTED IAW AS9100 QUALITY SYSTEM REQUIREMENTS.
2. ABBREVIATION USED IN TITLE IS: VALVE REGULATED SEALED LEAD ACID (VRSLA).
3. SEE DRAWING NO. CB-00438 AND PROCEDURE P-1000 FOR ASSEMBLY AND TEST INSTRUCTION. PROCEDURES AND ASSEMBLY DRAWINGS ARE FOR INTERNAL USE ONLY.
4. BATTERIES ARE RATED IAW INTERNATIONAL ELECTROTECHNICAL COMMISSION STANDARD 60952-1 AND RTCA STANDARD DO-293, UNLESS OTHERWISE NOTED.
5. COVER FASTENERS EXTEND .08 [2.0] MAX BEYOND COVER DIMENSIONS.
6. DIMENSIONS ARE INCH [MILLIMETER].

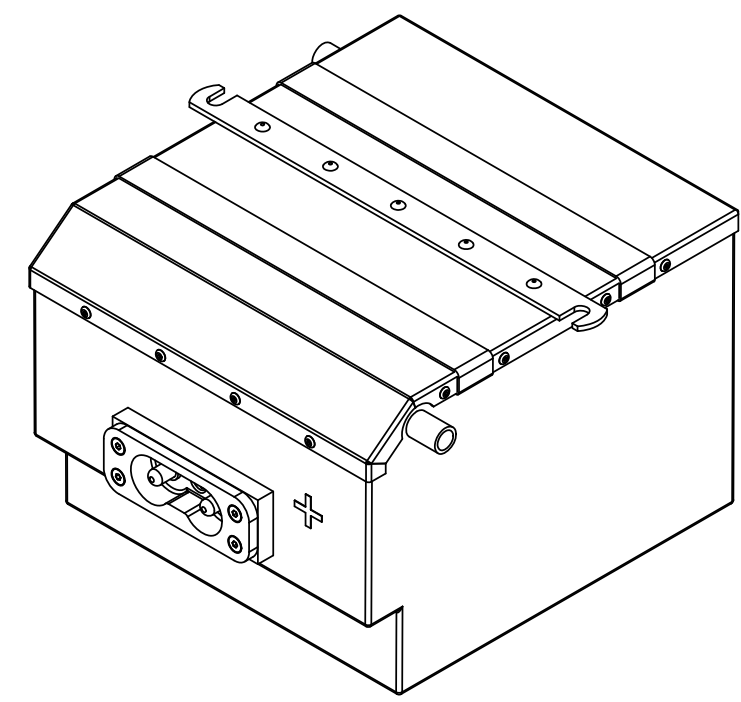
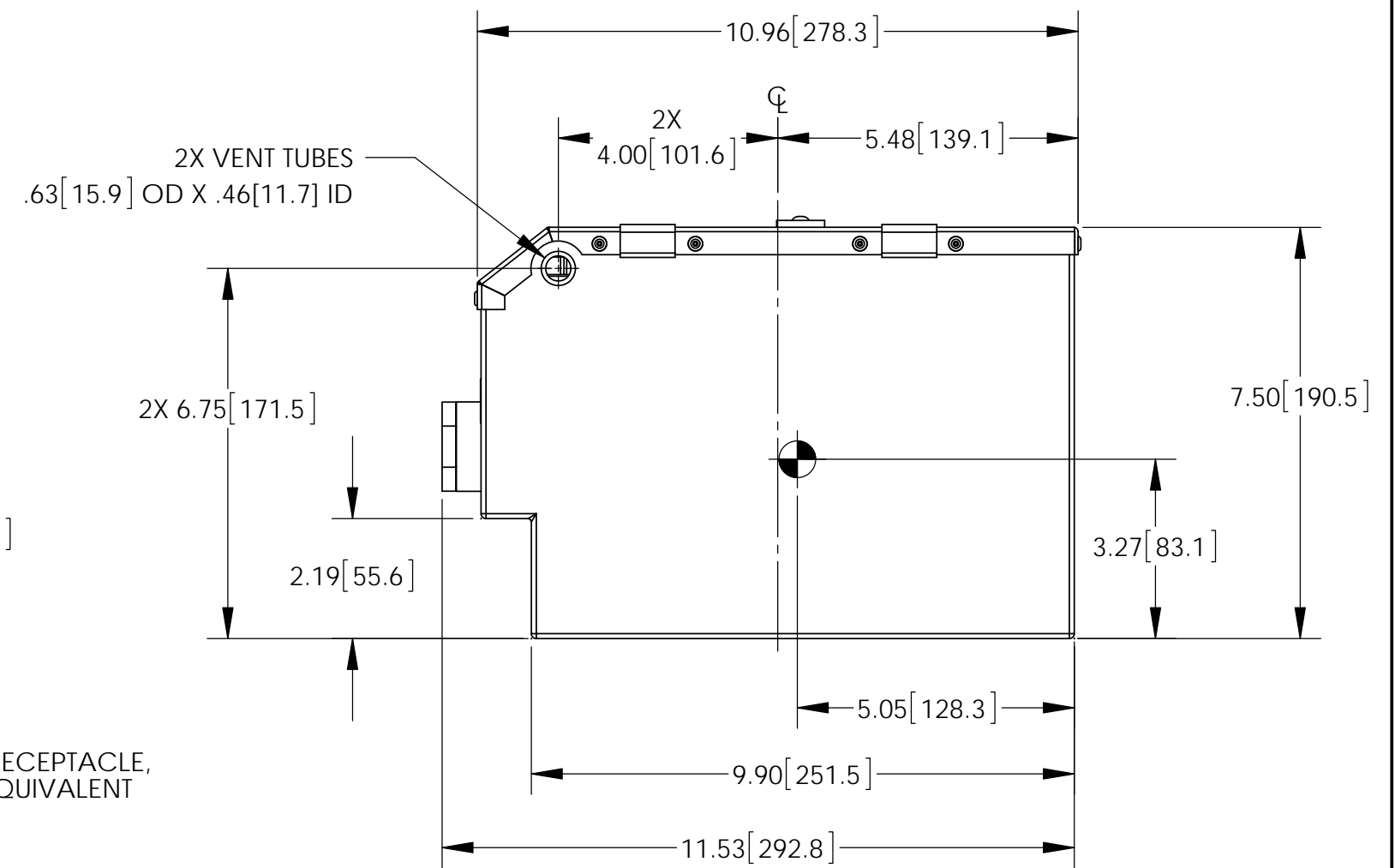
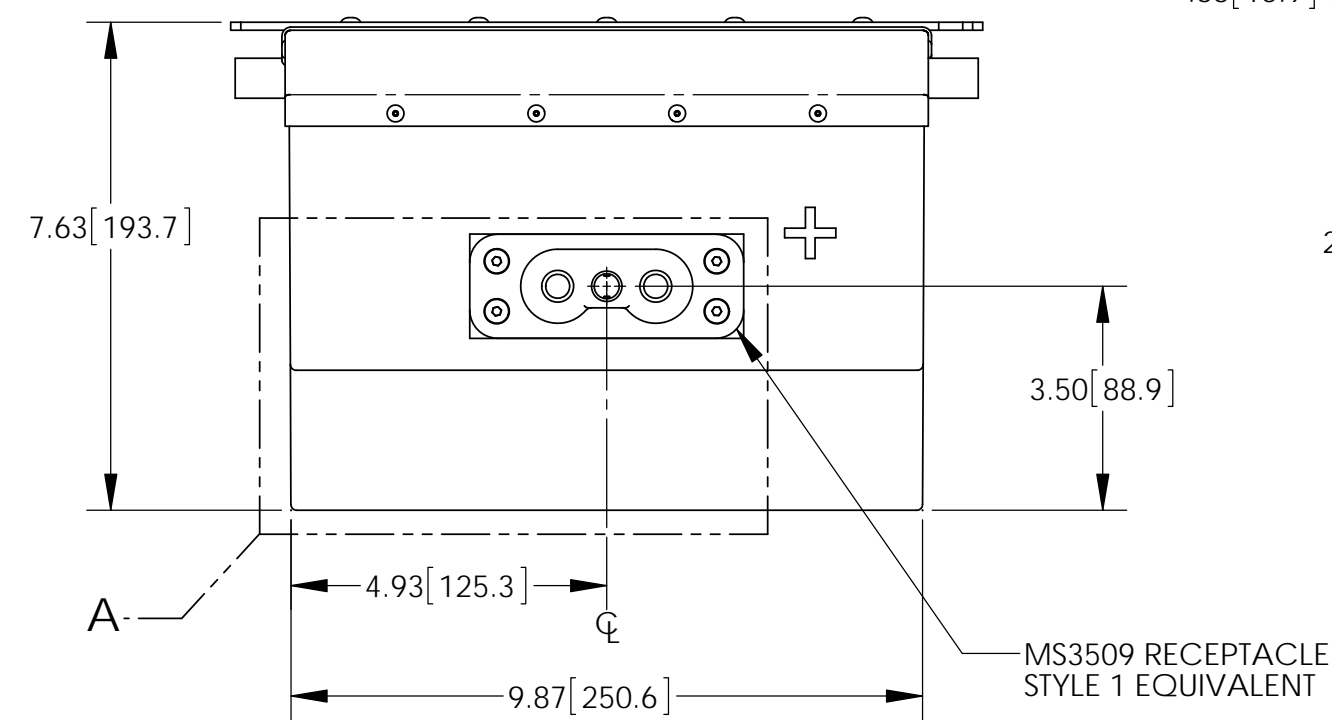
REVISIONS			
REV	DESCRIPTION	DATE	APPROVED



PART NUMBER	RG-427
MAXIMUM WEIGHT	79 LBS [35.8 KG]
RATED CAPACITY, C <sub>1</sub>	34 AH
POWER RATING AT 23 °C	Ipp 1800 A, Ipr 1200 A
POWER RATING AT -18 °C	Ipp 1325 A, Ipr 650 A
POWER RATING AT -30 °C	Ipp 1025 A, Ipr 500 A



DETAIL A



REFERENCE VIEW

ENVELOPE DRAWING

UNLESS OTHERWISE SPECIFIED DIMENSIONS ARE IN INCHES TOLERANCES ARE:			CONTRACT NO.		CONCORDE BATTERY CORPORATION 2009 SAN BERNARDINO RD, W. COVINA, CA 91790		
FRACTIONS	DECIMALS	ANGLES	APPROVALS	DATE	TITLE		
±1/32	.XX ± .06 XXX ± .030	±1°	M. AULBACH	4/19/12	BATTERY, VRSLA, 24 VOLT		
TREATMENT	NONE	CHECKED	AMIII	11/30/12	SIZE	CAGE CODE	DWG NO.
FINISH	NONE	APPROVED	JBT	12/3/12	C	63017	RG-427
SIMILAR TO	CALC WT	ISSUED	BT	12/3/12	SCALE	1:4	SHEET 1 OF 1