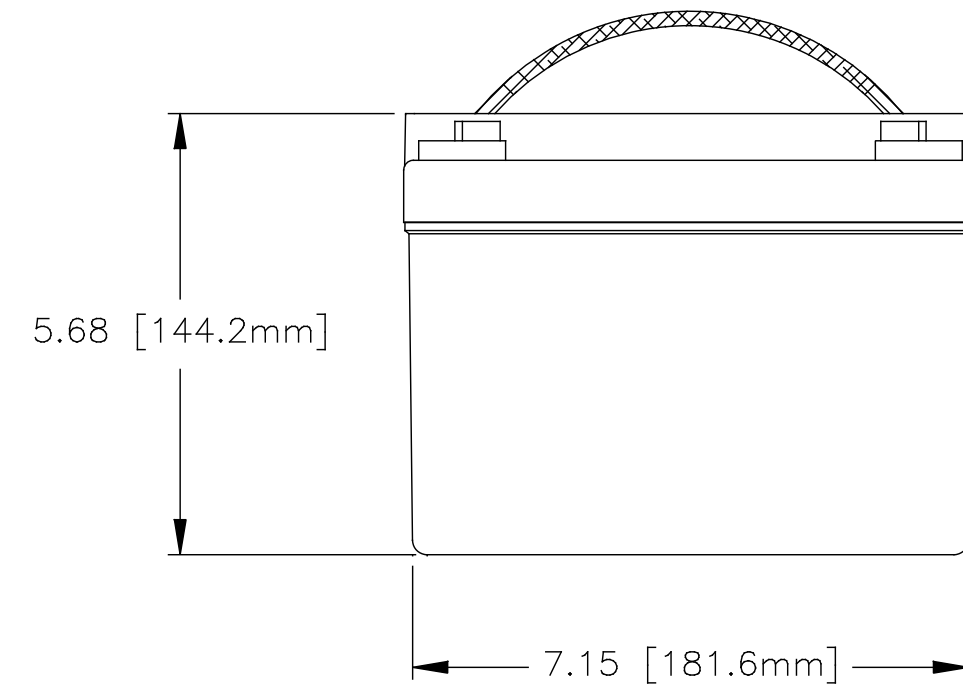
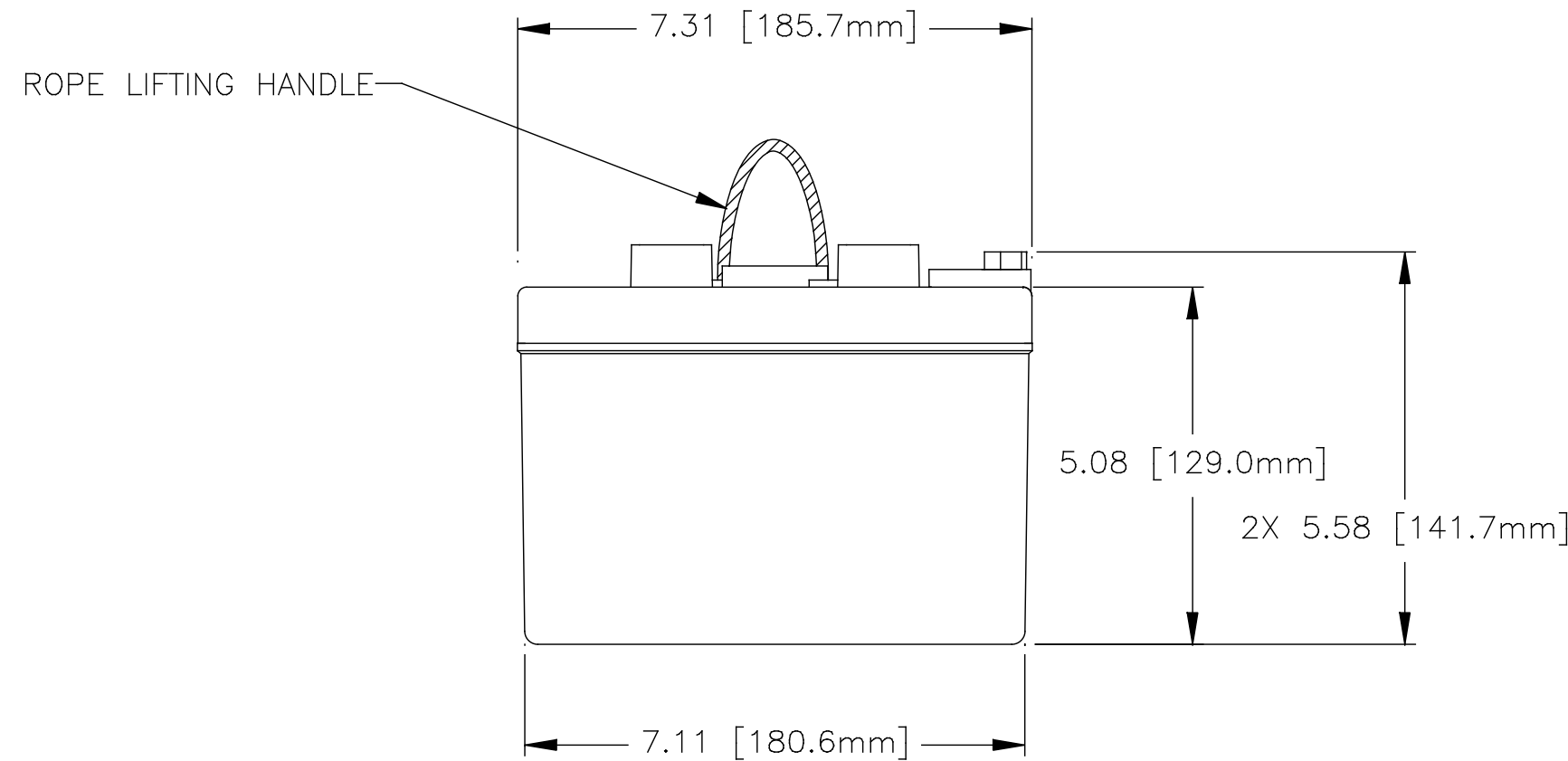
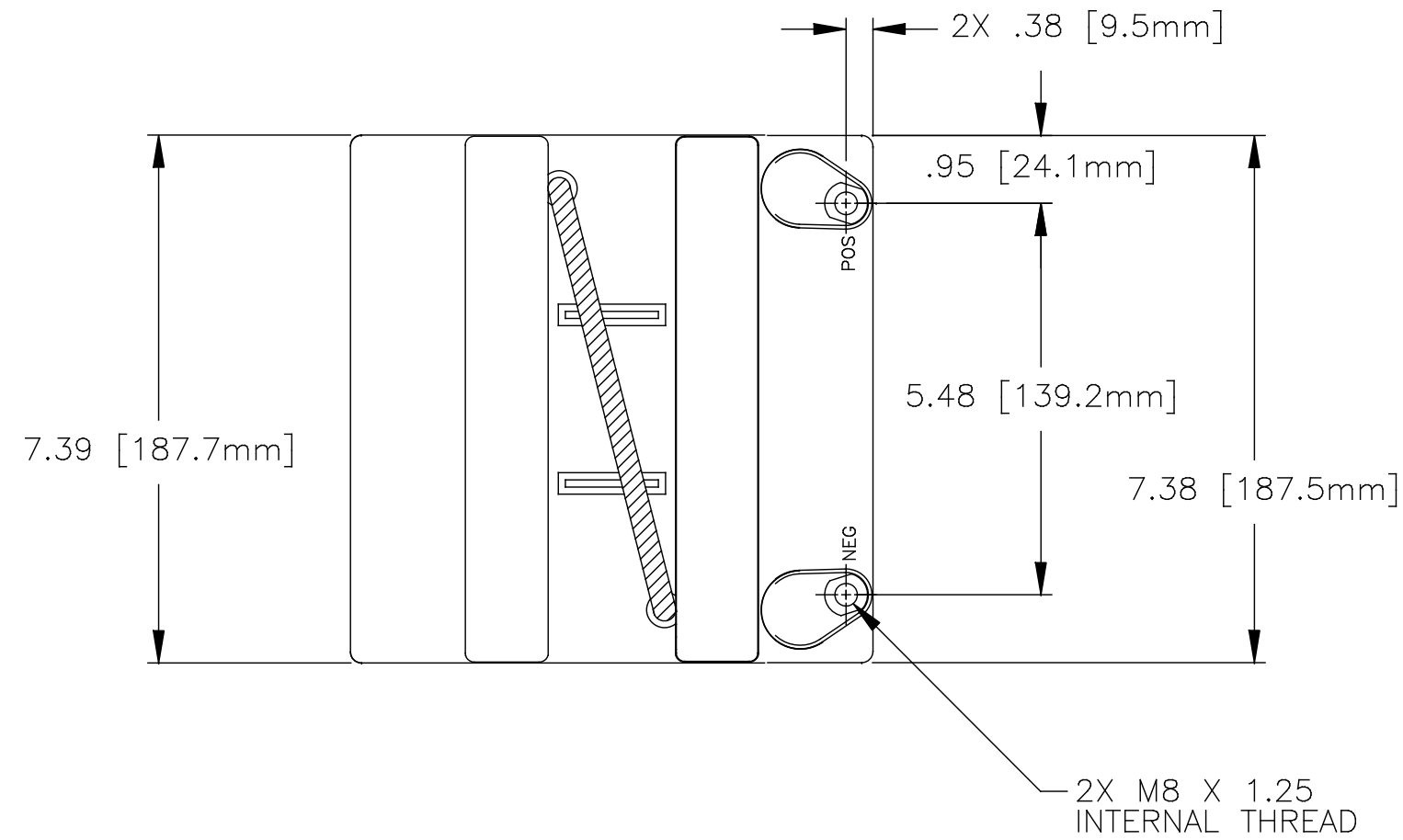


NOTES: UNLESS OTHERWISE SPECIFIED

- ABBREVIATION USED IN TITLE IS: VALVE REGULATED SEALED LEAD ACID (VRSLA).
- MANUFACTURED AND INSPECTED IAW AS9100 QUALITY SYSTEM REQUIREMENTS.
- SEE DRAWING NUMBER CB-00350 AND PROCEDURE P-1000 FOR ASSEMBLY AND TEST INSTRUCTION. PROCEDURES AND ASSEMBLY DRAWINGS ARE FOR INTERNAL USE ONLY.
- BATTERIES ARE RATED IAW INTERNATIONAL ELECTROTECHNICAL COMMISSION STANDARD 60952-1 AND RTCA STANDARD DO-293, UNLESS OTHERWISE NOTED.
- GENERAL AVIATION BATTERIES ARE NOT DESIGNED FOR REPETITIVE TURBINE ENGINE STARTING.
- USE SPACER, CBC PART NUMBER 9909, AS REQUIRED.

REVISIONS			
REV	DESCRIPTION	DATE	APPROVED
A	REVISED POWER RATINGS AND NOTES	2/17/10	JBT
B	ADDED NOTE 6	10/6/10	JBT

PART NUMBER	RG24-12
MAXIMUM WEIGHT	26.5 LBS [12.0 KG]
RATED CAPACITY, C ₁	11 AH
POWER RATING AT 23°C	Ipp 625 A, Ipr 450 A
POWER RATING AT -18°C	Ipp 350 A, Ipr 250 A
POWER RATING AT -30°C	Ipp 250 A, Ipr 200 A



ENVELOPE DRAWING

QTY REQD	CAGE CODE	PART OR IDENTIFYING NO.	NOMENCLATURE OR DESCRIPTION	MATERIAL SPECIFICATION	ITEM NO.
PARTS LIST					
UNLESS OTHERWISE SPECIFIED DIMENSIONS ARE IN INCHES TOLERANCES ARE:			CONTRACT NO.		
FRACTIONS DECIMALS ANGLES			CONCORDE BATTERY CORPORATION		
±1/32 .XX ±.06 ±1°			2009 SAN BERNARDINO RD, W. COVINA, CA 91790		
.XXX ±.060			TITLE		
			BATTERY, VRSLA, 24 VOLT		
TREATMENT	NONE	CHECKED	AMIII	DATE	11/16/06
FINISH	NONE	APPROVED	JBT	DATE	11/16/06
SIMILAR TO	ACT WT	CALC WT	ISSUED	JJ	10/6/10
SIZE		CAGE CODE	DWG NO.	REV	
C		63017	RG24-12	B	
SCALE		NONE		SHEET 1 OF 1	