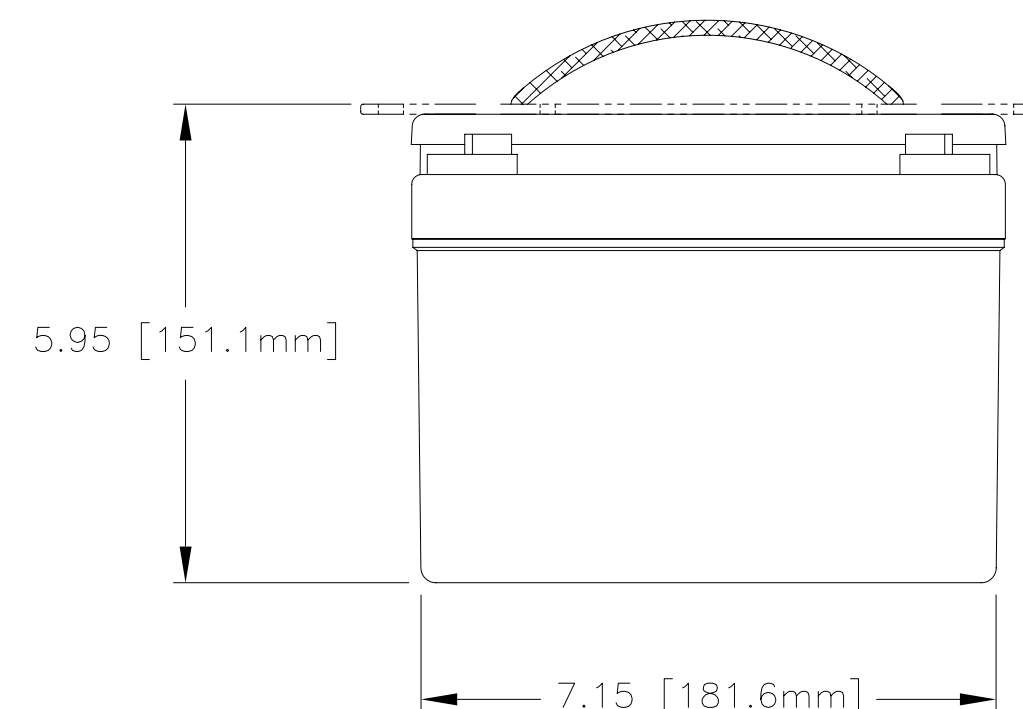
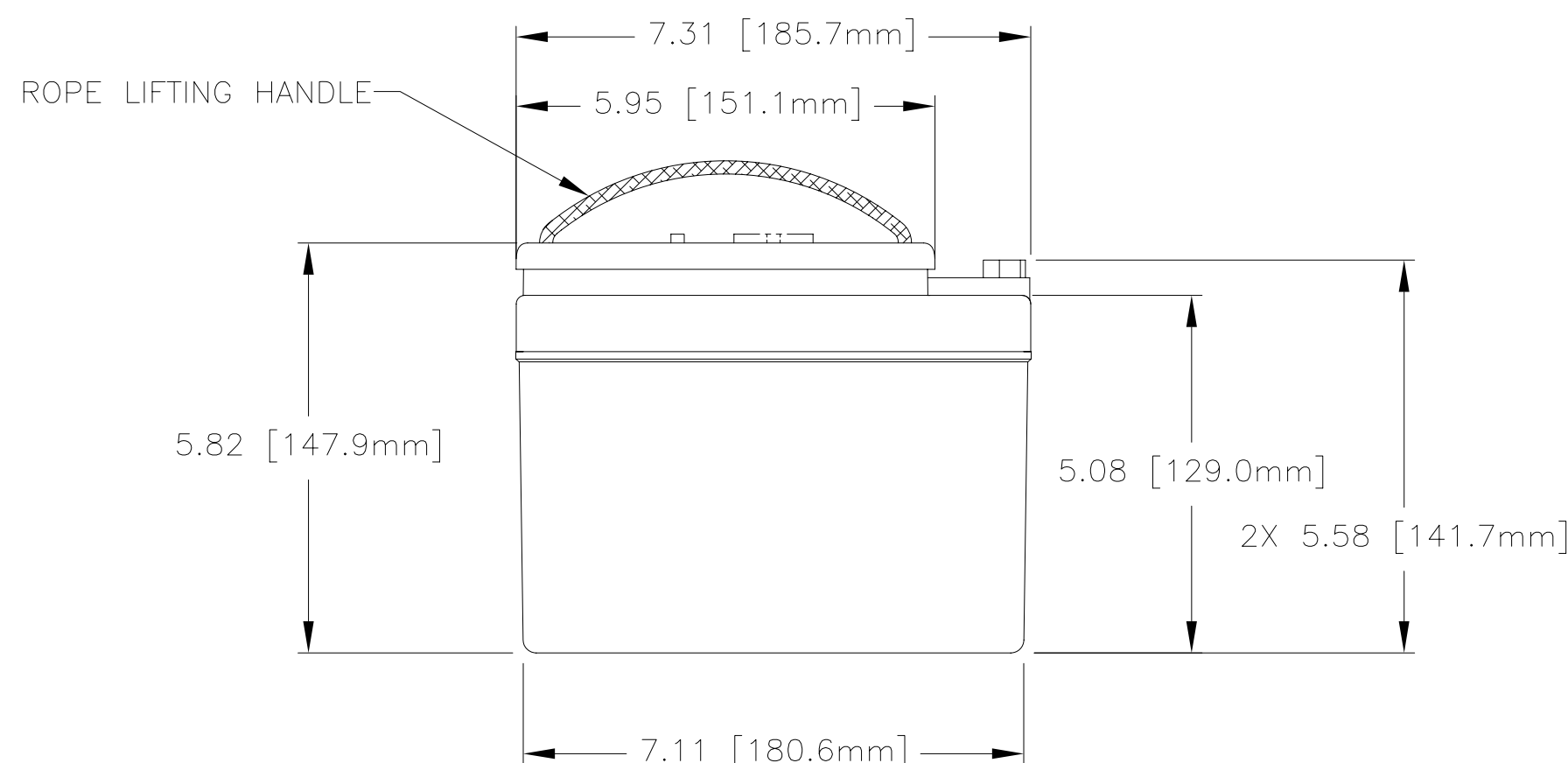
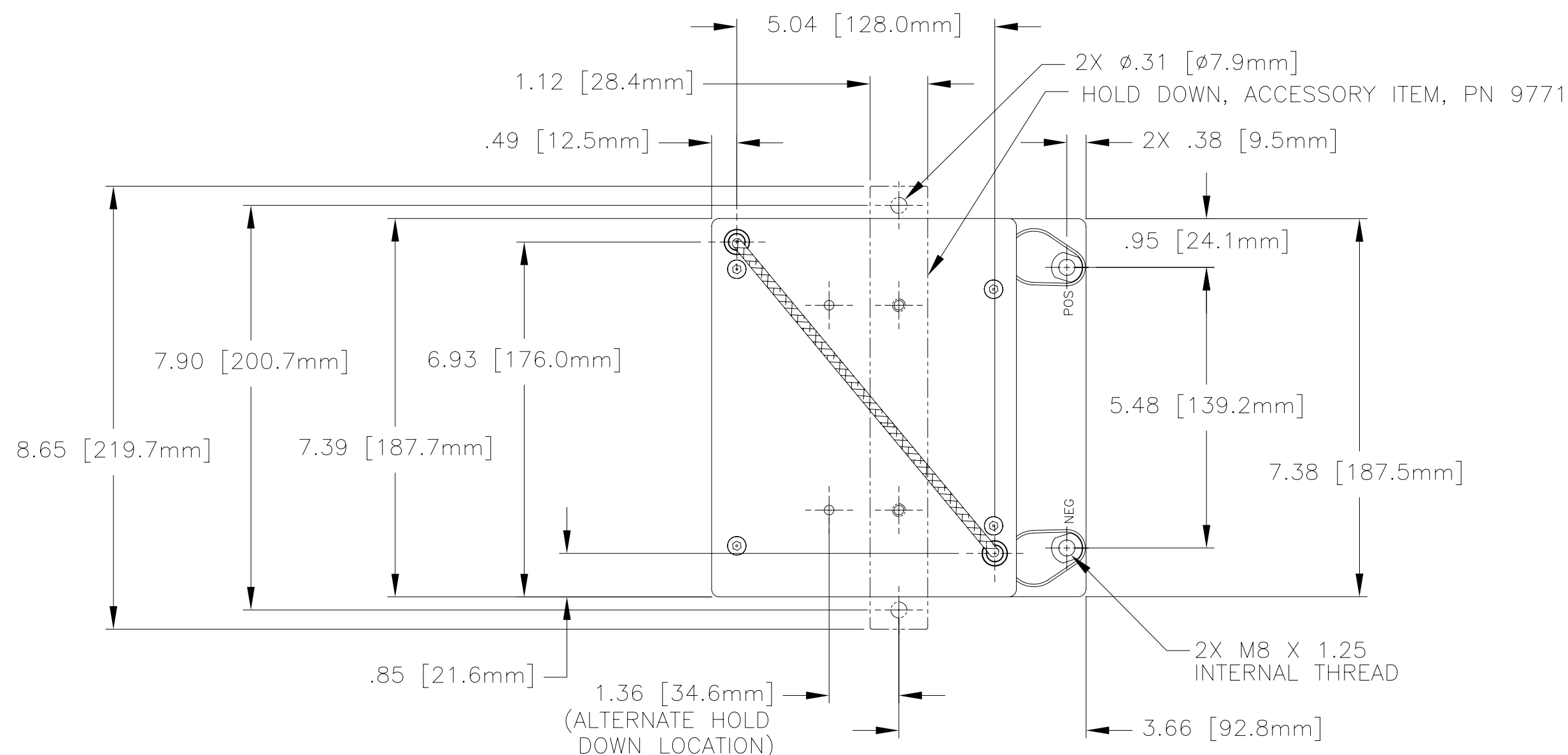


NOTES: UNLESS OTHERWISE SPECIFIED

- ABBREVIATION USED IN TITLE IS: VALVE REGULATED SEALED LEAD ACID (VRSLA).
- MANUFACTURED AND INSPECTED IAW AS9100 QUALITY SYSTEM REQUIREMENTS.
- SEE DRAWING NO. CB-00229 AND PROCEDURE P-1000 FOR ASSEMBLY AND TEST INSTRUCTION. PROCEDURES AND ASSEMBLY DRAWINGS ARE FOR INTERNAL USE ONLY.
- BATTERIES ARE RATED IAW INTERNATIONAL ELECTROTECHNICAL COMMISSION STANDARD 60952-1, AND RTCA STANDARD DO-293, UNLESS OTHERWISE NOTED.
- GENERAL AVIATION BATTERIES ARE NOT DESIGNED FOR REPETITIVE TURBINE ENGINE STARTING.

REVISIONS			
REV	DESCRIPTION	DATE	APPROVED
A	SEE DCN 0171	4/7/97	DG
B	SEE DCN 0197	7/25/97	JBT
C	REVISED TERMINAL	9/9/98	JBT
D	REVISED WEIGHT TO 29.5 LBS.	9/2/99	JBT
E	REVISED LIFTING HOLES TO ROPE LIFTING HANDLE	9/29/05	JBT
F	REVISED POWER RATINGS AND NOTES	2/17/10	JBT

PART NUMBER	RG24-15
MAXIMUM WEIGHT	29.5 LBS [13.4 KG]
RATED CAPACITY, C <sub>1</sub>	13.6 AH
POWER RATING AT 23°C	lpp 850 A, lpr 600 A
POWER RATING AT -18°C	lpp 575 A, lpr 375 A
POWER RATING AT -30°C	lpp 450 A, lpr 350 A



ENVELOPE DRAWING

QTY REQD	CAGE CODE	PART OR IDENTIFYING NO.	NOMENCLATURE OR DESCRIPTION	MATERIAL SPECIFICATION	ITEM NO.
PARTS LIST					
UNLESS OTHERWISE SPECIFIED DIMENSIONS ARE IN INCHES TOLERANCES ARE:			CONCORDE BATTERY CORPORATION 2009 SAN BERNARDINO RD, W. COVINA, CA 91790		
FRACTIONS DECIMALS ANGLES			TITLE		
.XX ± .06			BATTERY, VRSLA, 24 VOLT		
.XXX ± .060			SIZE CAGE CODE DWG NO. REV		
TREATMENT NONE			C 63017 RG24-15 F		
FINISH NONE			SCALE NONE SHEET 1 OF 1		
SIMILAR TO			ISSUED JJ 2/18/10		