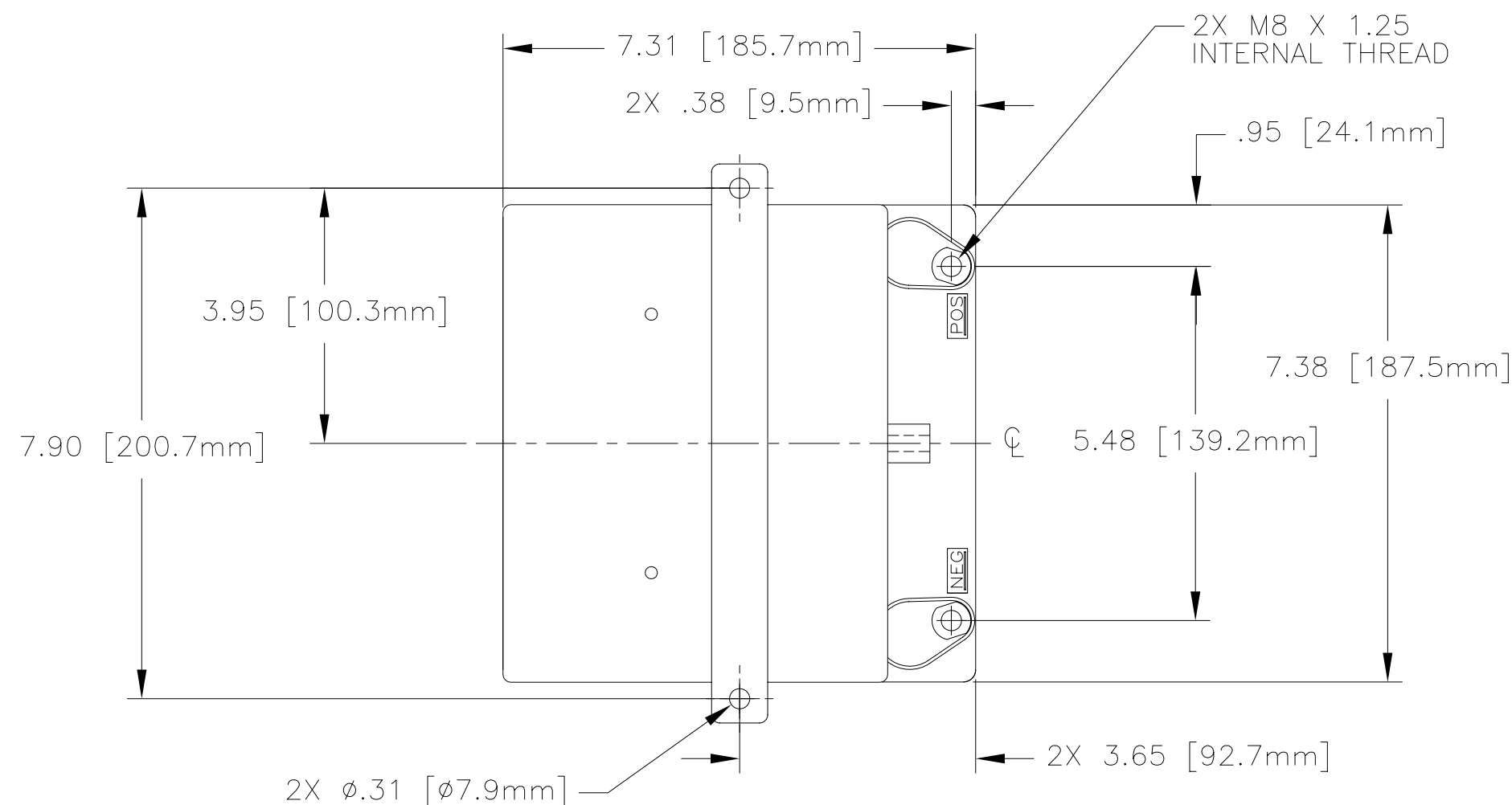


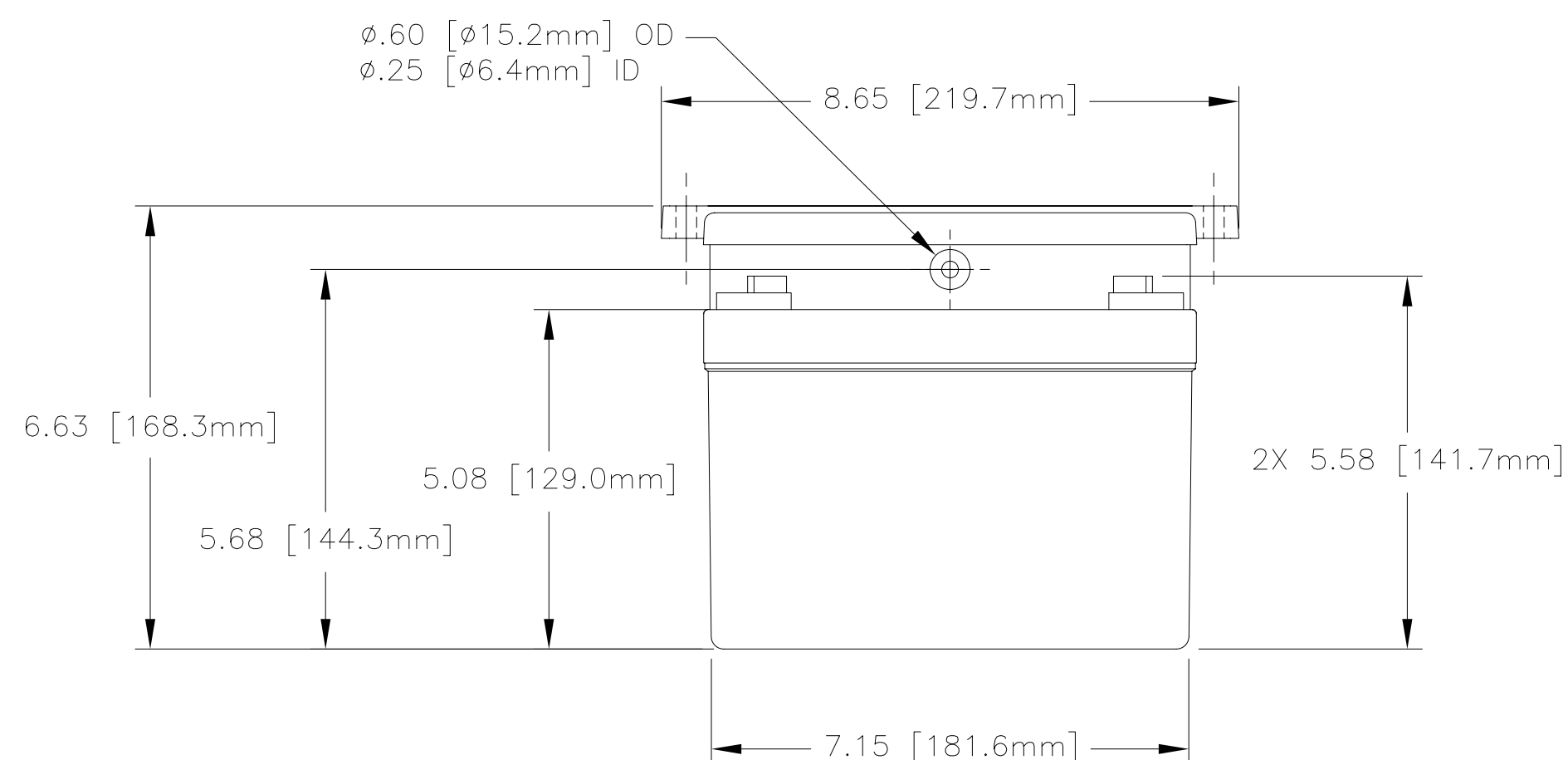
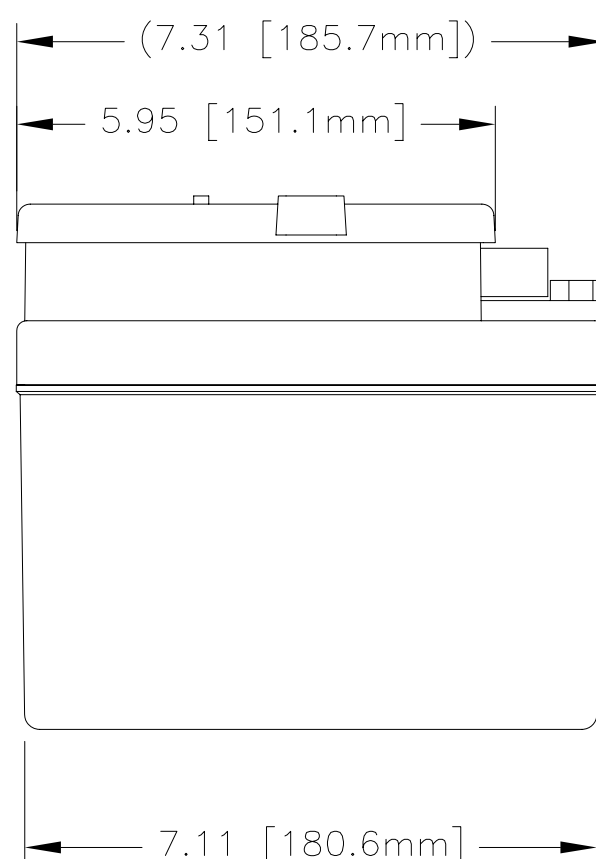
NOTES: UNLESS OTHERWISE SPECIFIED

- ABBREVIATION USED IN TITLE IS: VALVE REGULATED SEALED LEAD ACID (VRSLA).
- MANUFACTURED AND INSPECTED IAW AS9100 QUALITY SYSTEM REQUIREMENTS.
- SEE DRAWING NO. CB-00164 AND PROCEDURE P-1000 FOR ASSEMBLY AND TEST INSTRUCTION. PROCEDURES AND ASSEMBLY DRAWINGS ARE FOR INTERNAL USE ONLY.
- BATTERIES ARE RATED IAW INTERNATIONAL ELECTROTECHNICAL COMMISSION STANDARD 60952-1 AND RTCA STANDARD DO-293, UNLESS OTHERWISE NOTED.
- GENERAL AVIATION BATTERIES ARE NOT DESIGNED FOR REPETITIVE TURBINE ENGINE STARTING.

REVISIONS			
REV	DESCRIPTION	DATE	APPROVED
A	SEE DCN 0199	5/23/97	JBT
B	REVISED TERMINAL	9/9/98	JBT
C	REVISED WEIGHT TO 29.5 LBS.	9/2/99	JBT
D	REVISED POWER RATINGS AND NOTES	2/17/10	JBT
E	REVISED COVER, DIM 6.63[168.3mm] WAS 6.73[170.8mm], ADDED 2X HOLD-DOWN PINS	3/24/11	JBT



PART NUMBER	RG24-15M
MAXIMUM WEIGHT	29.5 LBS [13.4 KG]
RATED CAPACITY, C ₁	13.6 AH
POWER RATING AT 23°C	I _{pp} 850 A, I _{pr} 600 A
POWER RATING AT -18°C	I _{pp} 575 A, I _{pr} 375 A
POWER RATING AT -30°C	I _{pp} 450 A, I _{pr} 350 A



ENVELOPE DRAWING

QTY REQD	CAGE CODE	PART OR IDENTIFYING NO.	NOMENCLATURE OR DESCRIPTION	MATERIAL SPECIFICATION	ITEM NO.
PARTS LIST					
UNLESS OTHERWISE SPECIFIED DIMENSIONS ARE IN INCHES TOLERANCES ARE:			CONCORDE BATTERY CORPORATION 2009 SAN BERNARDINO RD, W. COVINA, CA 91790		
FRACTIONS	DECIMALS	ANGLES	APPROVALS	DATE	TITLE
.XX	± .06		DRAWN S. VALDEZ	3/26/96	BATTERY, VRSLA, 24 VOLT
.XXX	± .060		CHECKED AMIII	6/19/96	
TREATMENT	NONE		APPROVED DG	6/19/96	SIZE C
FINISH	NONE		ISSUED JJ	3/25/11	CAGE CODE 63017
SIMILAR TO	ACT WT	CALC WT			DWG NO. RG24-15M
					REV E
					SCALE NONE
					SHEET 1 OF 1