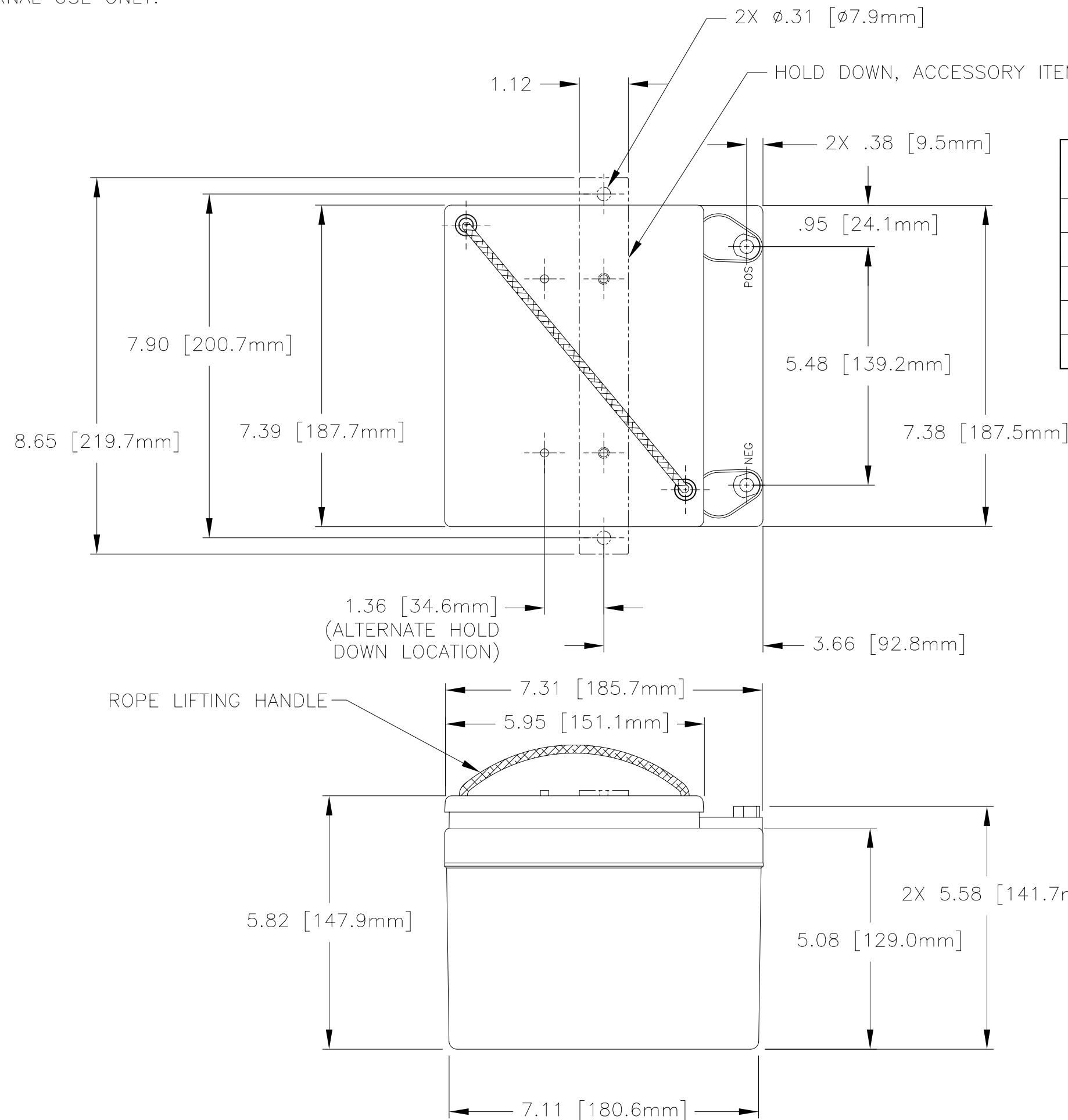


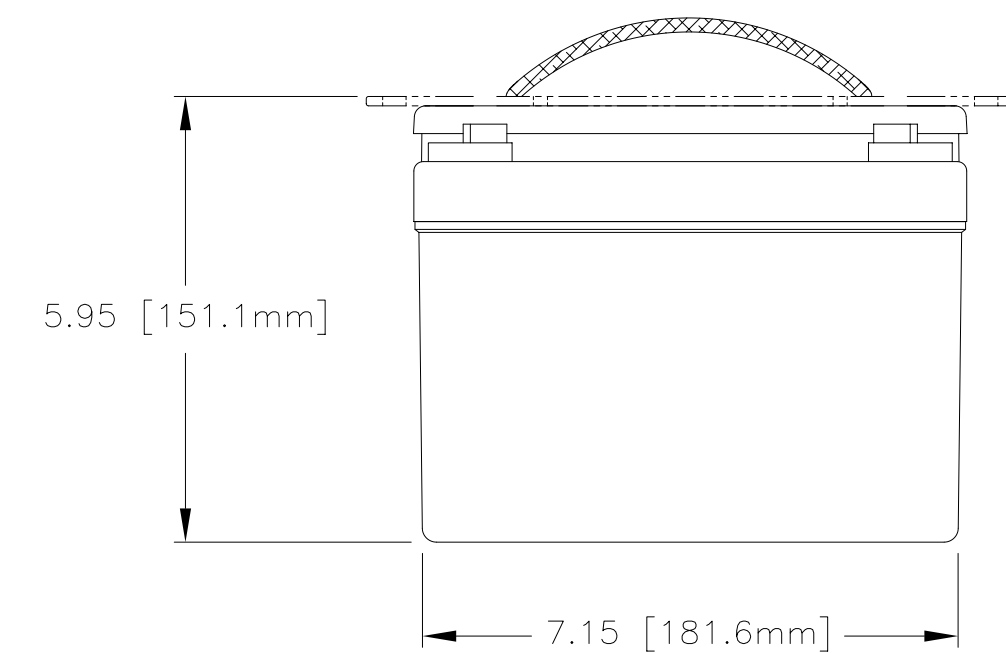
NOTES: UNLESS OTHERWISE SPECIFIED

- ABBREVIATION USED IN TITLE IS: VALVE REGULATED SEALED LEAD ACID (VRSLA).
- INSPECT PER FAR 21.303(h) QUALITY SYSTEM.
- BATTERY CONFORMS TO THE DESIGN REQUIREMENTS OF 14 CFR PARTS 23.1353, 25.1353(c), 27.1353, 29.1353(c).
- SEE DRAWING NUMBER CB-00229 AND PROCEDURE P-1000 FOR ASSEMBLY AND TEST INSTRUCTION. PROCEDURES AND ASSEMBLY DRAWINGS ARE FOR INTERNAL USE ONLY.
- TERMINAL HARDWARE KIT (CBC PN 9586) CONTAINS M8 HEX HEAD SCREWS AND CONICAL WASHERS.
- BATTERIES ARE RATED IAW INTERNATIONAL ELECTROTECHNICAL COMMISSION STANDARD 60952-1, UNLESS OTHERWISE NOTED.

REVISIONS			
REV	DESCRIPTION	DATE	APPROVED
A	ADDED PARALLEL RATINGS	7/18/06	JBT



PART NUMBER	RG24-9	(2) RG24-9 BATTERIES CONNECTED IN PARALLEL
MAXIMUM WEIGHT	22.0 LBS [10.0 KG]	44.0 LBS [20.0 KG]
RATED CAPACITY, C ₁	8.5 AH	17.0 AH
POWER RATING AT 23°C	lpr 313 A, lpp 432 A	lpr 637 A, lpp 848 A
POWER RATING AT -18°C	lpr 173 A, lpp 210 A	lpr 359 A, lpp 419 A
POWER RATING AT -30°C	lpr 110 A, lpp 134 A	lpr 237 A, lpp 270 A



ENVELOPE DRAWING

ENGINEERING COPY 19JUL06

QTY REQD	CAGE CODE	PART OR IDENTIFYING NO.	NOMENCLATURE OR DESCRIPTION	MATERIAL SPECIFICATION	ITEM NO.
PARTS LIST					
UNLESS OTHERWISE SPECIFIED DIMENSIONS ARE IN INCHES TOLERANCES ARE: FRACTIONS DECIMALS ANGLES ± 1/32 .XX ± .06 ± 1° .XXX ± .030			CONCORDE BATTERY CORPORATION 209 SAN BERNARDINO RD, W. COVINA, CA 91790		
TREATMENT NONE		CHECKED AMIII	DATE 7/11/06	TITLE BATTERY, VRSLA, 24 VOLT	
FINISH NONE		APPROVED JBT	DATE 7/11/06	SIZE C	CAGE CODE 63017
SIMILAR TO		ACT WT	CALC WT	ISSUED NS	DATE 7/19/06
				DWG NO. RG24-9	REV A
				SCALE NONE	SHEET 1 OF 1